

Bathroom Collection

BY COSENTINO



 COSENTINO

SILESTONE® DEKTON®

Bathroom Collection

BY COSENTINO

Bathroom Collection by Cosentino is a unique concept in the architectural sector, based on the use of single materials that offer superior performance and remarkable beauty.

The first of these, Silestone®, is a surface made with up to 90%* of quartz available in some colours and a range of more than 80 exclusive colours. The second, Dekton, is a revolutionary ultra-compact surface with high resistance, durability and versatility of design and texture. Both are large-format products manufactured exclusively by Cosentino®.

The aim of this concept is to offer architects one of the most exclusive ranges for walls and cladding with the widest choice in colours and textures. It also offers a new line in design of wash basins and shower trays made to order, based on the needs of each customer.



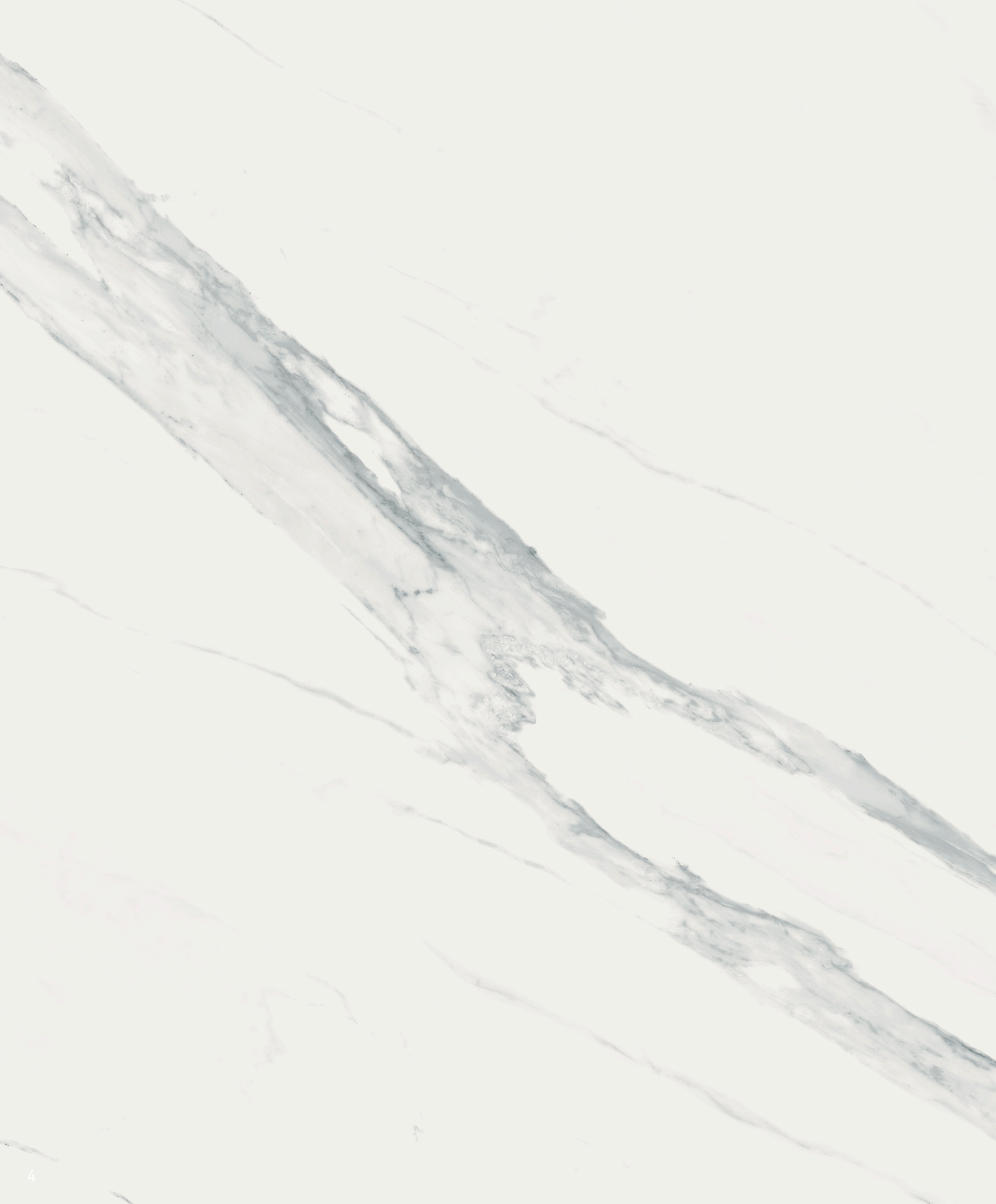
**Custom
Design**



**Large
Format**



**Wide Range
of Colours**



Índice

COSENTINO® MATERIALS	8
SILESTONE®	8
DEKTON®	12
LARGE FORMAT	15
DEKTON SLIM	16
APPLICATIONS	18
CUSTOM DESIGN	20
SHOWER TRAYS	27
WASH-HAND BASINS	40



A





Silestone® Natural Quartz Surfaces

Silestone® is the best selling natural quartz surface in the world. This is not just by chance. Silestone is used both on floors as well as on kitchen and bath walls, with as few joints as possible.

Silestone® - life is greater as it is filled with color and textures. An endless range of proposals with physical and chemical properties that are the result of constant research for many years.

Silestone is an almost unbreakable surface. It is stain-free, mark-free and scratch-free. The resistant pieces of Silestone are alive and continue to be enjoyed over time, going beyond the surface.

With a very low absorption index and a minimal number of joints, liquids are welcome in the heart of the bathroom, but not inside Silestone.

JUMBO	STANDARD
3250 mm x 1590 mm	3060 mm x 1400 mm



Silestone® Advantages



*Custom
Design*



*Natural
Quarz*



*Impact
Resistant*



*Large
Format*



*Wide Range
of Colours*



*Different
Textures*



*Resistant to
Chemicals*



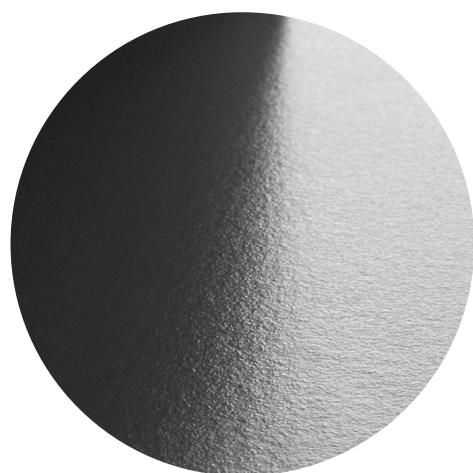
*Stain
Resistant*



*Scratch
Resistant*

Textures

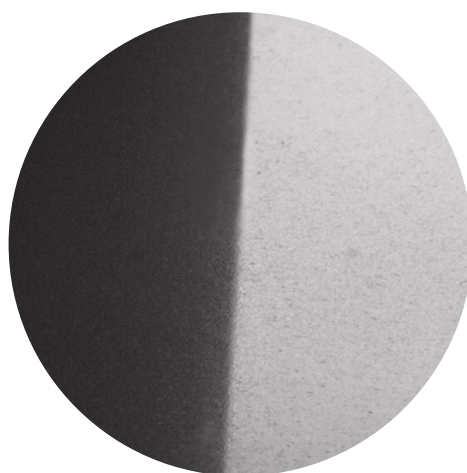
In order to adapt to your style, Silestone offers several finishes for any of the applications you choose. Polished or suede are two possibilities that allow you to let your imagination fly and have the texture you've always wanted in your bathroom.



Suede

Extra matt Silestone finish for wash-hand basins and shower trays.

* There is no seam continuity in the various planes of the sinks and showers



Polished

Smooth, high gloss texture for wash-hand basins and shower trays.

* There is no seam continuity in the various planes of the sinks and showers



Antislip

DIN 51097:1992

Soft Sandblasted

Surface available exclusively in the shower tray line for maximum antislip safety.





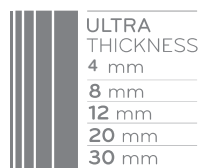
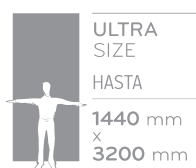
Ultra-Compact Surfaces

Dekton® is a sophisticated combination of raw materials used to make glass, next-generation porcelains and quartz surfaces, based on an exclusive technological process (TSP) which produces an accelerated version of the metamorphic changes suffered by natural stone after being exposed to high pressures and temperatures for thousands of years.

Dekton® is pressed using a 25,000-ton press which converts the slab into a large format, extremely resistant, ultra-compact surface.

Dekton® Ultra Size

Thanks to the size and the lightness of Dekton (3200x1440mm), the design possibilities for kitchens, bathrooms, façades, walls or high transit floors are growing exponentially.



Dekton® Beyond Surfaces

Thanks to the manufacturing technology used to make Dekton®, colours and textures with varied characteristics can be obtained, from solids with outstanding purity and chromatic homogeneity and materials with veins and movements that have a very natural appearance, to bolder colour ranges or products for environments that require a more industrial appearance.



Dekton® TSP

Technology of Sinterized Particles

TSP technology emulates in a few hours what nature takes thousands of years to do, through an exclusive technological process.

TSP is a process that performs sintering on mineral particles so that they link up and change. The electron microscope can appreciate the reduced porosity of the material, due to the sintering process and exclusive ultra-compaction of Dekton®. Its zero porosity and the non-existence of the microflaws that cause tension and weaknesses set Dekton® apart from other materials.

Dekton® Advantages



Custom Design



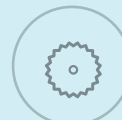
Large Format



Wide Range of Colours



Stain-Resistant



Abrasion-Resistant



Highly Scratch-Resistant



Different Textures



High Mechanical Resistance



Reduces Water Absorption



High Resistance to Hydrolysis



Dimensional Stability

Textures

Dekton offers matt and textured matt finishes for washbasin surfaces. The material is extraordinary and will allow you to achieve the desired result.



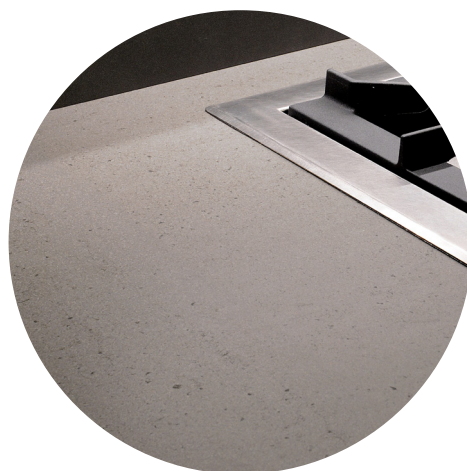
X-Gloss

Smooth high-gloss texture

* Check availability

* Spectra Xgloss requires special maintenance.

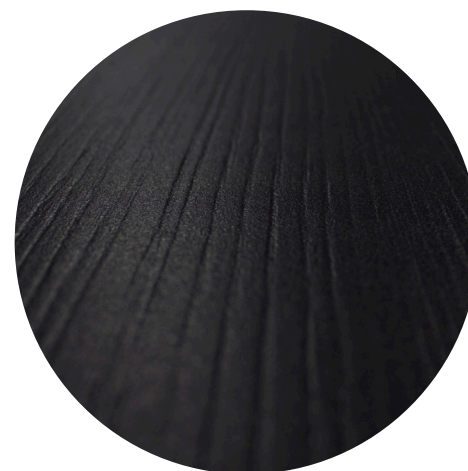
You can consult the Cleaning and Maintenance manual on www.dekton.com



Ultra Matt

Polished finish for wash-hand basins

* There is no vein continuity in different planes of washbasins.



Ultra Texture

Textured finish for wash-hand basins

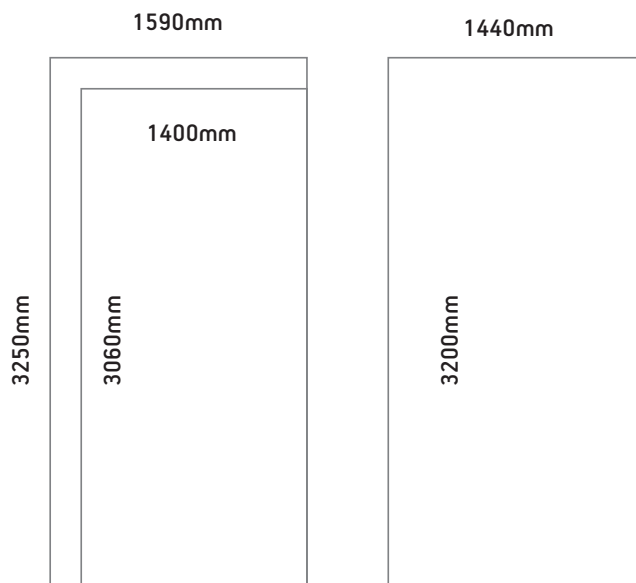
* There is no vein continuity in different planes of washbasins.

Large Format

One of the characteristics that makes the Bath Collection by Cosentino concept unique is its large format.

All the Cosentino® materials are manufactured in slab formats of more than 3 metres long by more than 1.4 wide. This enables us to cover the bathroom area with the smallest possible number of pieces, thereby obtaining greater continuity in design and better hygiene, due to the smaller number of joints.

Thanks to this extra-large slab format, it is not difficult to make XXL tiles for wash-hand basins, shower trays or floors and walls.



Silestone

Dekton



*A Wash-hand basin Silestone® Simplicity Calypso
 B Shower tray Silestone® Exelis Calypso
 C Floor Cladding Silestone® Calypso
 D Wall Cladding Dekton Vera*

DEKTON® SLIM

designed by COSENTINO

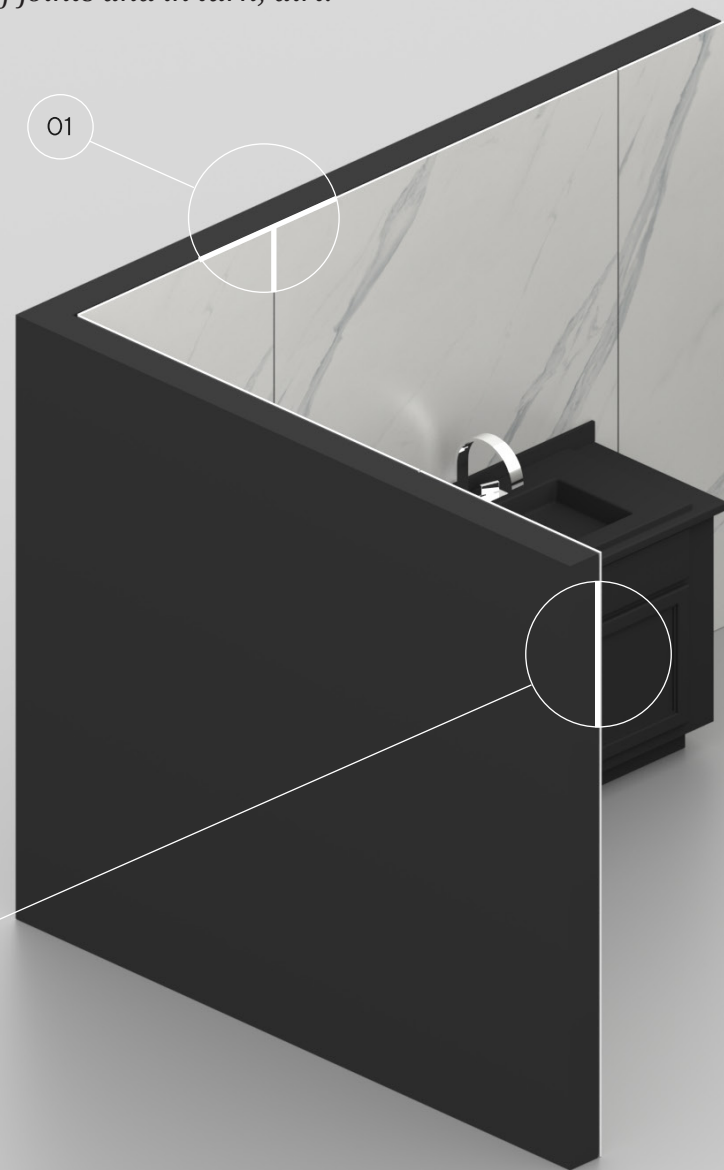
Dekton® Slim is the new, large format surface with an ultra-thin 4 mm thickness that offers unlimited design options and incredible ease of installation and transport.

Ideal for bathrooms, Dekton® Slim is ultra-resistant to humidity and stains. A high-performing product that does not require any more maintenance beyond a damp cloth.

Its large format measuring 3,200 mm x 1,440 mm covers large surfaces, avoiding a large number of joints and in turn, dirt.

LARGE FORMAT AND A MINIMUM NUMBER OF JOINTS

Its large format measuring 3,200 mm x 1,440 mm covers large surfaces, avoiding a large number of joints and in turn, dirt.



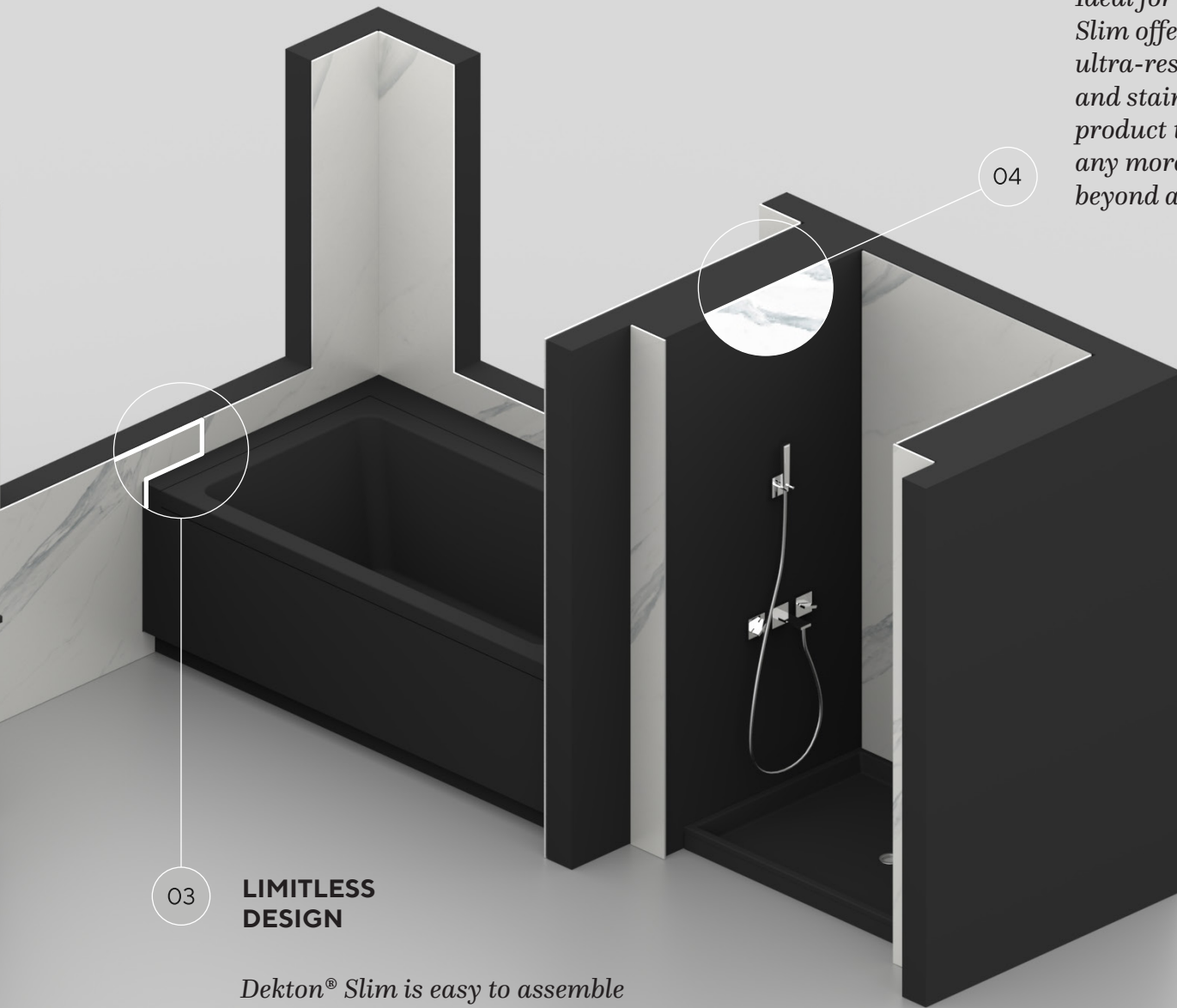
2

EASY INSTALLATION

Thanks to its light format with an array of possibilities, everything just got a lot simpler. Its reduced thickness means it can be cut quickly and adjustments can be made on-site with tools for ceramic tiles.

**MAXIMUM RESISTANCE
TO HUMIDITY IN DEKTON'S
LIGHTEST FORMAT**

Ideal for bathrooms, Dekton® Slim offers cladding that is ultra-resistant to humidity and stains. A high-performing product that does not require any more maintenance beyond a damp cloth.



03

**LIMITLESS
DESIGN**

Dekton® Slim is easy to assemble and can be cut to measure. It can be adapted to all spaces.





Applications

Silestone® Applications

- Ⓐ Custom large format applications
- Ⓑ Flooring
- Ⓒ Panelling
- Ⓓ Wash-Hand basin
- Ⓔ Shower trays

Dekton® Applications

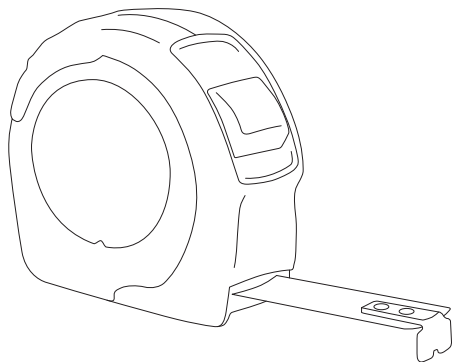
- Ⓐ Custom large format applications
- Ⓑ Flooring
- Ⓒ Panelling
- Ⓓ Wash-Hand basin

Custom Design

The entire Bathroom Collection is custom-made to order, in any of the 80 Silestone, Eco Line Colour Series or Dekton colours, in accordance with the taste of each client.*

Thanks to its large format production, Cosentino® can make unique jointless tiles in lengths of more than 3 metres and widths of more than 1.5 metres. For wash-hand basins, shower trays, panelling or bathroom floors.

For large format shower trays, it is recommended to include a drying area with no gradient to guarantee a good water evacuation. The drying area is an independent piece from the gradient area.





A Wash-hand basin Silestone® Iconic Black
B Shower tray Kador Silestone® Iconic Black
C Wall Cladding Silestone® Loft Silver Lake
D Floor Cladding Silestone® Loft Silver Lake



D

*A Shower tray Silestone® Exelis Calacatta Gold
B Hand-wash basin Silestone® Marie Blanco Zeus /
C Countertop Silestone® Calacatta Gold
D Cladding Dekton Kreta*



B

C

D



A

*A Cladding Interior Dekton® Trilium
B Hand-wash basin Dekton® Trilium*





Shower tray Kador - Silestone® Kensho

Shower Trays



Antislip



Wide Range of Colours



Ultra-Fine



Custom design



Accessories

Doppio



Bubbles



Freccia



Kador



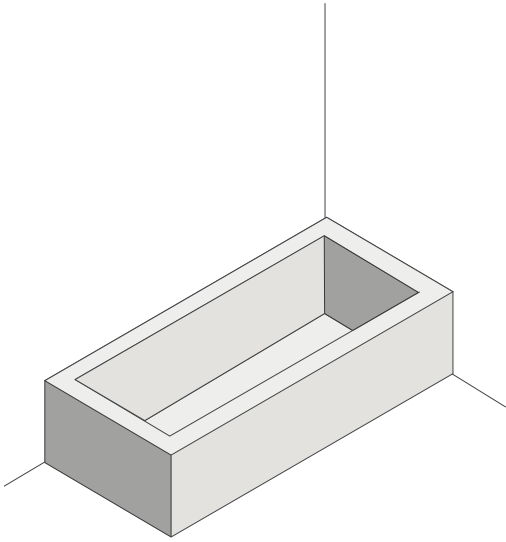
Kador Suite



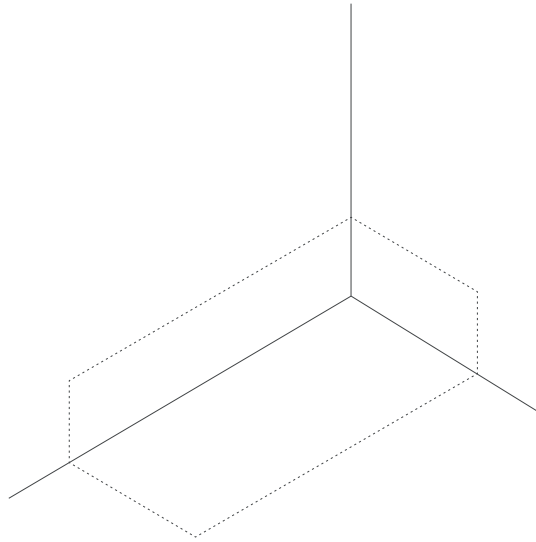
Exelis ✦



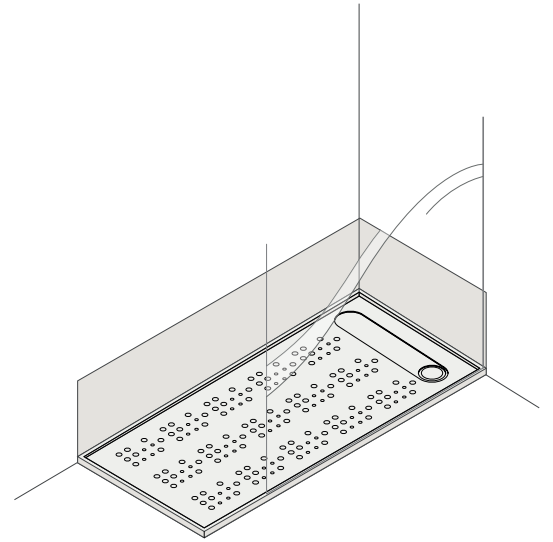
Bathtub Shower Tray Replacement



Bathtub



Space to be renovated



Shower Tray + Coating



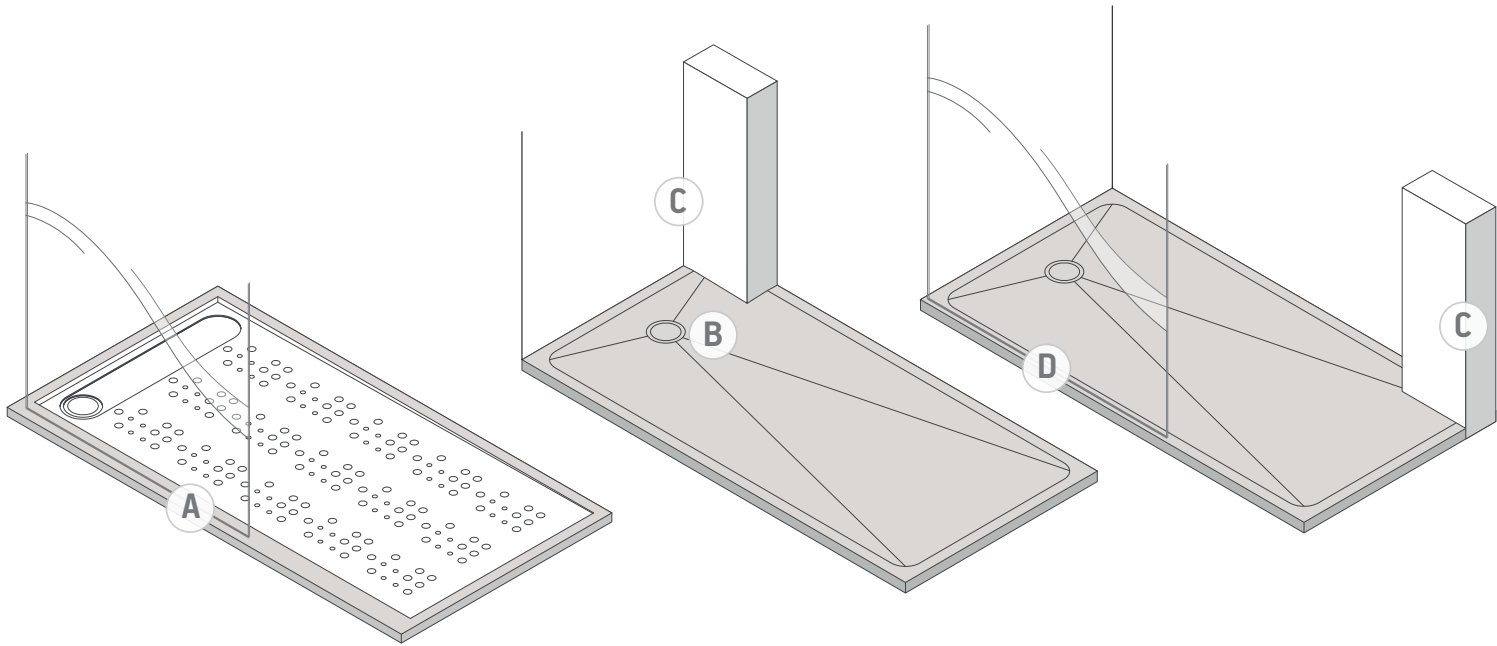
A

B

C

A Cladding Interior Dekton® Argav
B Countertop Dekton® Zenith
C Flooring Dekton® Argav

Customised Design Operations Available for Shower Trays



A Perimeter frame with a width of 4cm for supporting the screen

B The valve position can be moved in the Exelis Shower Tray model.

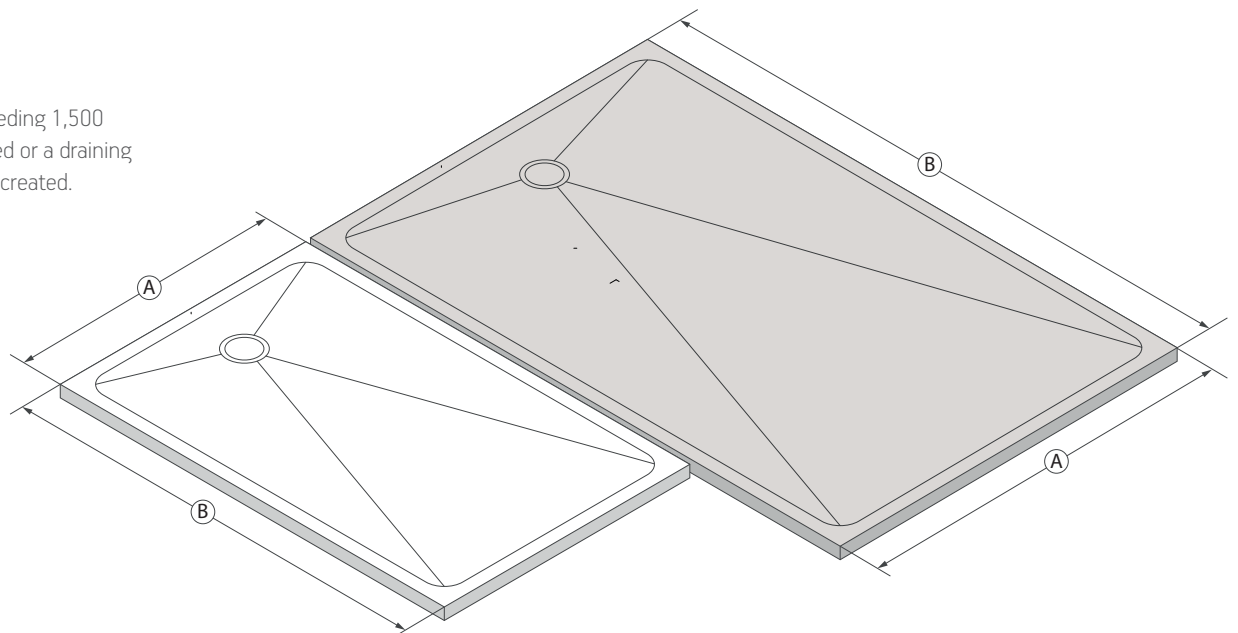
C Cutting to adapt the product to the space, columns or other special architectural features

D Slot in shower tray for installing glass screen

Custom shower trays

A) Up to 1,350 mm
B*) Up to 3,000 mm

* In Exelis model showers exceeding 1,500 mm, the valve should be centred or a draining area without a slope should be created.





A Wash-hand basin Silestone® Cemento Spa
B Shower tray Silestone® Cemento Spa
C Wall Cladding Silestone® Statuario
D Floor Cladding Silestone® Statuario



Doppio

Customised shower tray available in all Silestone colours + sandblasted strips (non-slip)

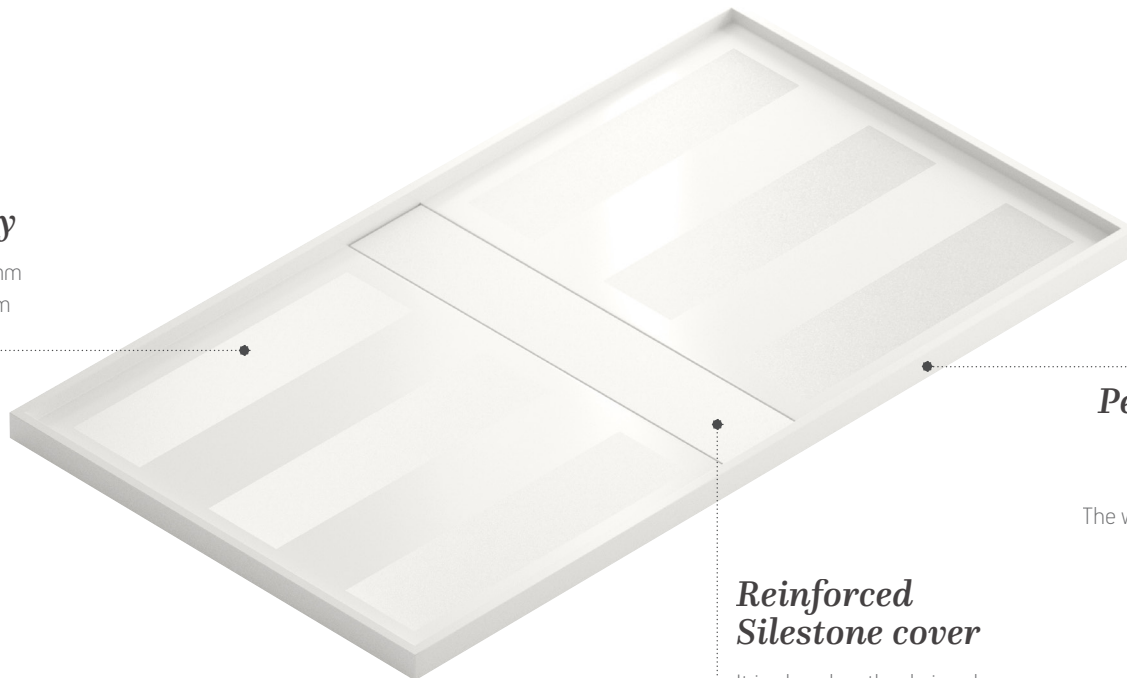


CLASS C
DIN 51097:1992.

SILESTONE
by COSENTINO

Shower tray

Length up to 3000mm
Width up to 1200mm



Perimeter zone

Height: 50mm
Width: 40mm
The width of this area can be modified upon request

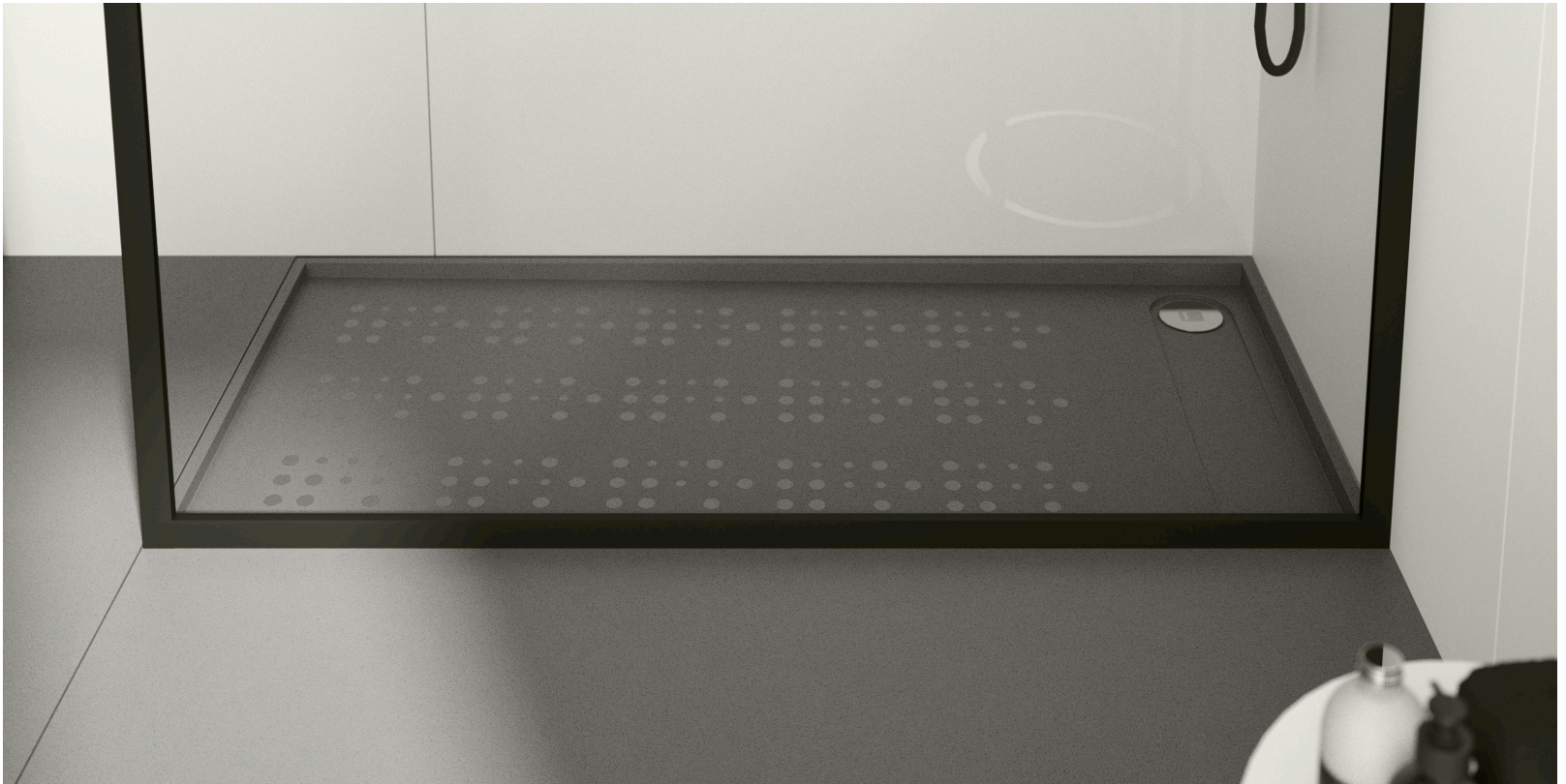
Reinforced Silestone cover

It is placed on the drain valve

It includes

Drain valve with siphon, horizontal outlet with dimension of 1" 1/2 x 115 (code 312140)

Valves are not included for the USA



Bubbles

Customised shower tray in all Silestone colours / polished finish or suede + sandblasted strips (non-slip)

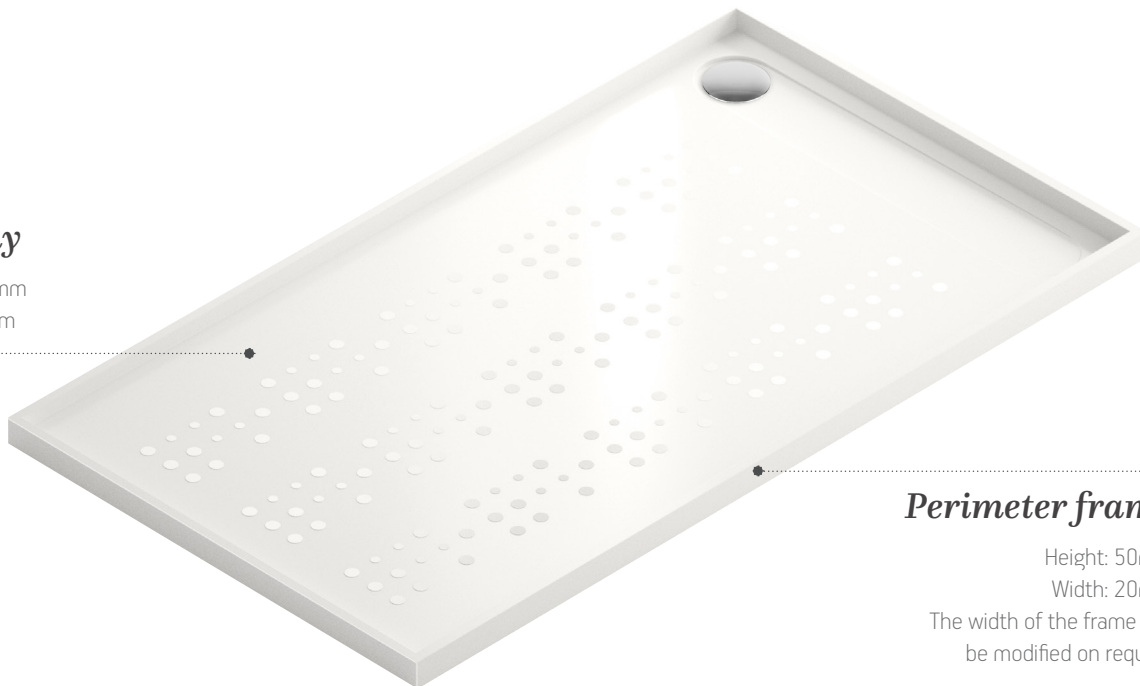


CLASS B
DIN 51097:1992.

SILESTONE
by COSENTINO

Shower tray

Length up to 3000mm
Width up to 1200mm



Perimeter frame

Height: 50mm
Width: 20mm
The width of the frame can be modified on request

It includes

Drain valve with siphon, 90mm outlet with dimension of 1" 1/2 x 115 (code 313943)

Valves are not included for the USA



Freccia

Customised shower tray available in all Silestone colours + sandblasted strips (non-slip)



Shower tray

Length up to 3000mm
Width up to 1200mm



Perimeter frame

Height: 50mm
Width: 20mm
The width of the frame can be modified on request

It includes

Drain valve with siphon, 90 mm outlet with dimension of 1" 1/2 x 115 (code 313943)

Valves are not included for the USA



Kador

Customised shower tray in all Silestone colours / polished finish or suede + sandblasted strips (non-slip)



CLASS C
DIN 51097:1992.

SILESTONE
by COSENTINO

Shower tray

Length up to 3000mm
Width up to 1200mm



Reinforced Silestone cover

It is placed on the drain valve

Perimeter frame

Height: 50mm
Width: 20mm
The width of the frame can be modified on request

It includes

Drain valve with siphon, horizontal outlet with dimension of 1" 1/2 x 115 (code 312140)

Valves are not included for the USA



Kador Suite

Customised shower tray in all Silestone colours / polished finish or suede + sandblasted strips (non-slip)



CLASS C
DIN 51097:1992.

SILESTONE
by COSENTINO

Shower tray

Length up to 3000mm
Width up to 1200mm



Perimeter frame

Height: 50mm
Width: 20mm
The width of the frame can be modified on request

It includes

Drain valve with siphon, 90mm outlet with dimension of 1" 1/2 x 115 (code 313943)

Valves are not included for the USA



Exelis

Customised shower tray in all Silestone colours / polished finish or suede + sandblasted strips (non-slip)



Ultrafine



CLASS C
DIN 51097:1992.

SILESTONE
by COSENTINO

Shower tray

Length up to 3000mm
Width up to 1200mm
From a length of 1500mm, the valve is placed centered or a drying area is made without slope



Perimeter zone

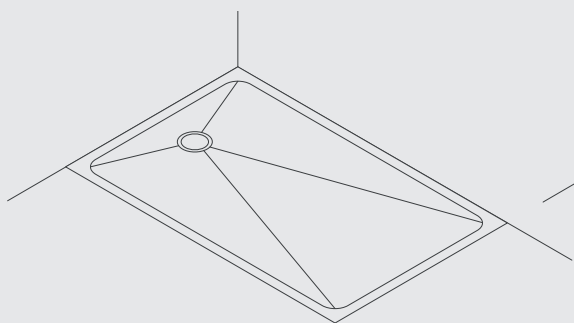
Height: 50mm
Width: 40mm
The width of this area can be modified upon request

It includes

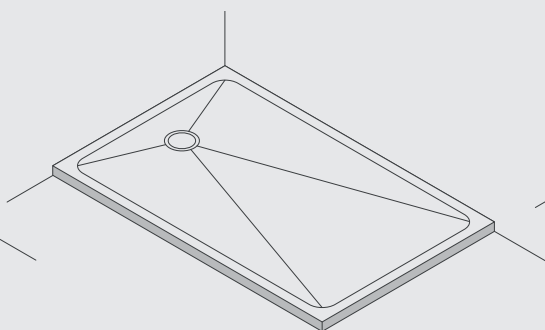
Drain valve with siphon, 90mm outlet with dimension of 1" 1/2 x 115 (code 313943)

Valves are not included for the USA

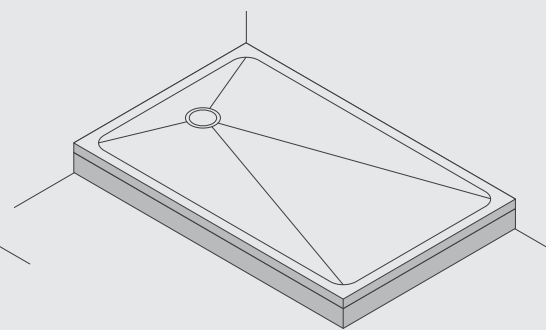
Shower Tray Installation



Recessed



On floor

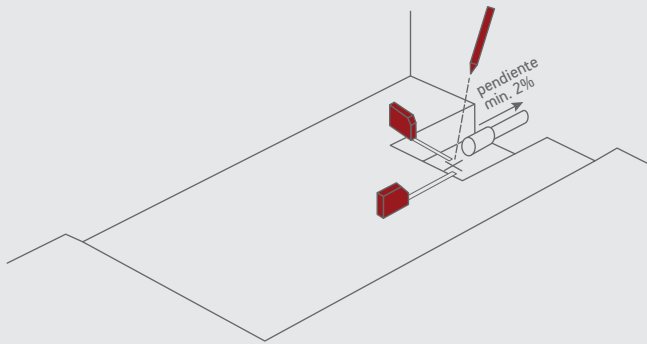


Raised + Skirting



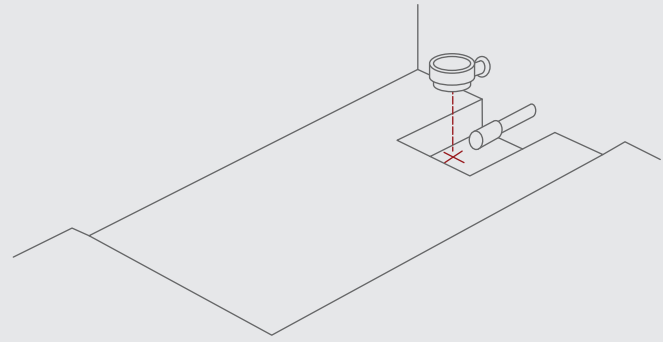
1. Checking and setting of the Shower Tray on site

Clean the area where the Shower Tray will be installed. Check the connection dimensions of the drain and pipes. Perimeter joints must be taken into account.



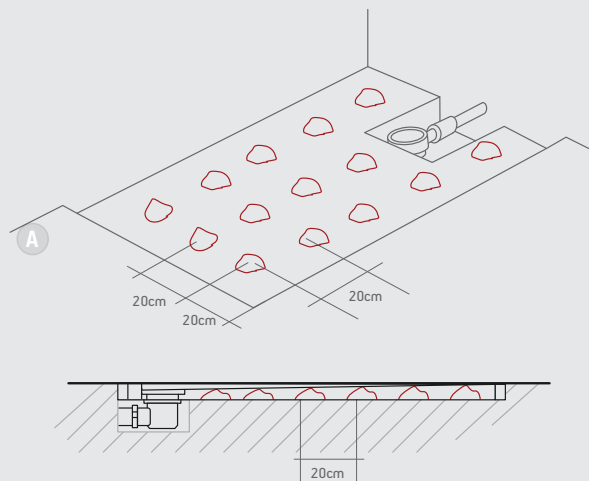
2. Valve connection

Comprobar el desagüe con el Shower tray y conectarlo con las tuberías de desagüe.



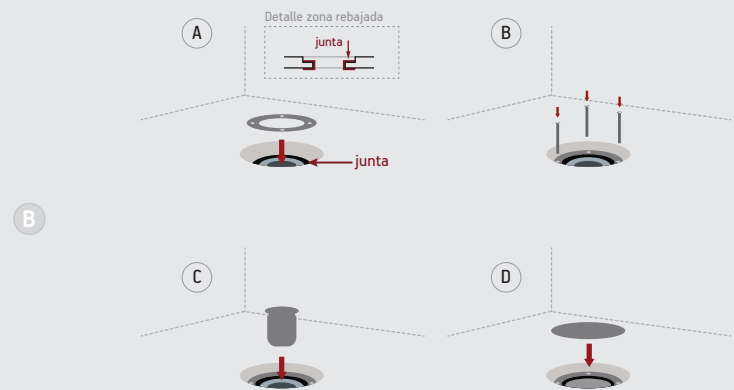
3. Application of the adhesive and tray installation

Apply concrete bonding with chemical agent (bicomponent) and lay the shower tray while maintaining the perimeter joints. Apply a silicone cord around the perimeter.



4. Installation of the drain valve

Position the drain valve, incorporating the flat joint in the lower area and anchoring the clamp manually.



General recommendations for the installation of Shower Trays

- The Shower Tray must have permanent support for its entire surface.
- Perimeter joints must be taken into account when installing shower trays.
- It is important to incorporate the flat joint in the lower area of the plate. Place the clamp and anchor it manually.
- The shower tray must be protected during installation and until the work is completed.
- For the usual cleaning of these surfaces, Cosentino recommends using Q-Action or neutral soap.

Wash-Hand Basins



Custom Design



Accessories



Wide Range of Colours



Armony | Silestone



Balance | Silestone



Reflection | Silestone



Simplicity | Silestone & Dekton



Equilibrium | Silestone & Dekton



Silence | Silestone



Exclusive | Silestone



Marie | Silestone



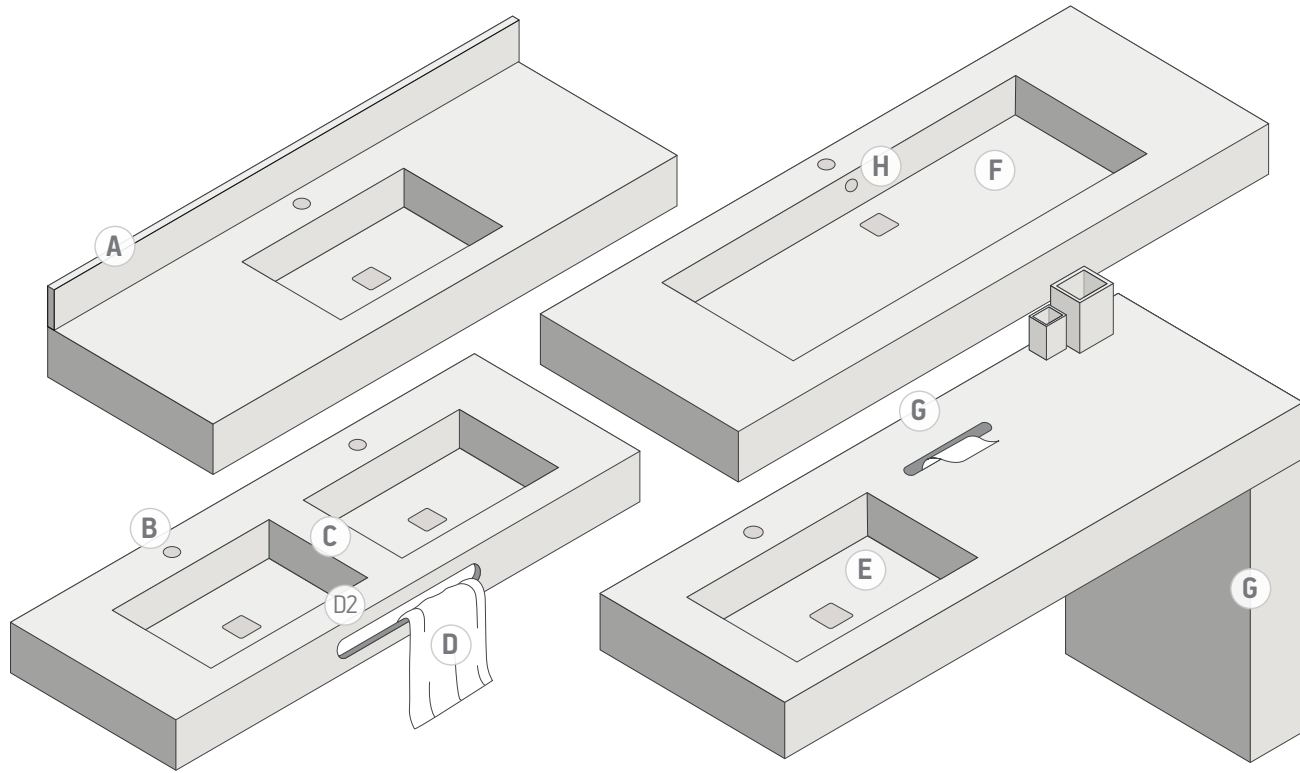
Elegance | Silestone



Symmetry | Silestone



Custom Design Operations Available



A Customised coping

B Openings for sanitary fittings, boxes, special bevels, etc. In different positions.

C Additional basins, Distance between sinks >120 mm

D Towerholder at the front of the wash-hand basin
Standard Measures: Small: 400 x 70mm Medium 600x70mm Large 800 x 70mm
D2: distance between washbasin and hollow >90mm

E Changeable in basin position

F Change in basin measurements - Minimum 20 units

G Overflow, distance between overflow and drill hole for tap >60mm

H "Ad-hoc" designs, completely new, with illustration and client instructions - Minimum 50 units



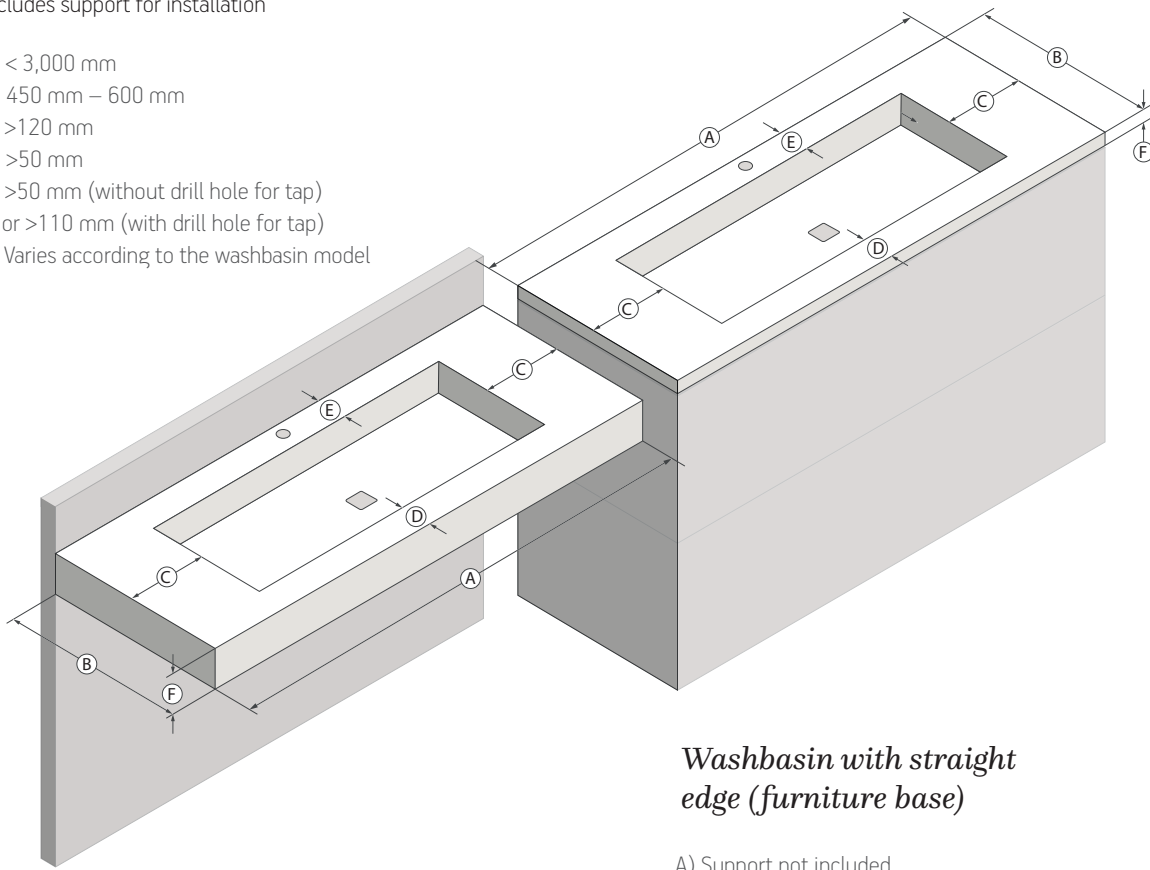
*A Wash-hand basin Silestone® Cemento Spa
B Shower tray Silestone® Exelis, Statuario
C Wall Cladding Silestone® Statuario
D Floor Cladding Silestone® Statuario*

Custom Design Operations Available

Washbasin with sink base (wall)

Includes support for installation

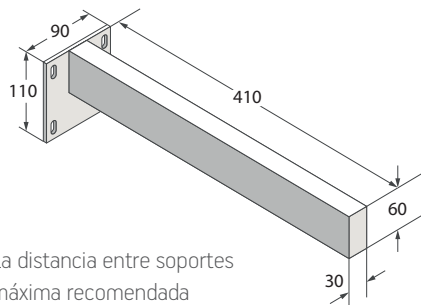
- A) < 3,000 mm
- B) 450 mm – 600 mm
- C) >120 mm
- D) >50 mm
- E) >50 mm (without drill hole for tap)
or >110 mm (with drill hole for tap)
- F) Varies according to the washbasin model



Washbasin with straight edge (furniture base)

- A) Support not included
- B) < 3,000 mm
- C) 450 mm – 600 mm
- D) >50 mm
- E) >50 mm
- F) >50 mm (without drill hole for tap) or > 110 mm (with drill hole for tap)
- F) 20 mm (Silestone), 12 mm (Dekton)

Support for washbasin with sink base (Wall)



La distancia entre soportes máxima recomendada es de 120cm.



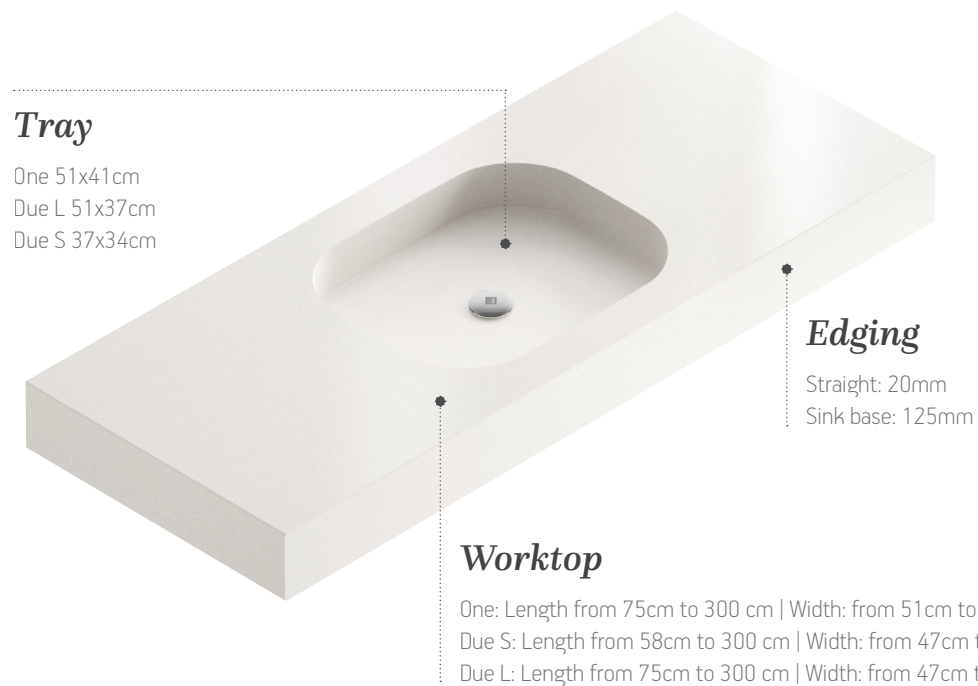
A Wash-hand basin Silestone® Cemento Spa
B Shower tray Silestone® Cemento Spa
C Wall Cladding Silestone® Statuario
D Floor Cladding Silestone® Statuario



Exclusive One / Due S / Due L

Silestone washbasin, consult colours and finishes (polished or suede) available

SILESTONE
by COSENTINO



It includes

Drain valve, output 1" 1/4 (code 307383)
Steel supports for wall installation
(in the case of worktop with sink base)

Available in integrity colours.
Rest of Silestone colours available for a minimum request of 30 units.



Simmetry

Custom washbasin available in all Silestone colours (polished or suede finish)

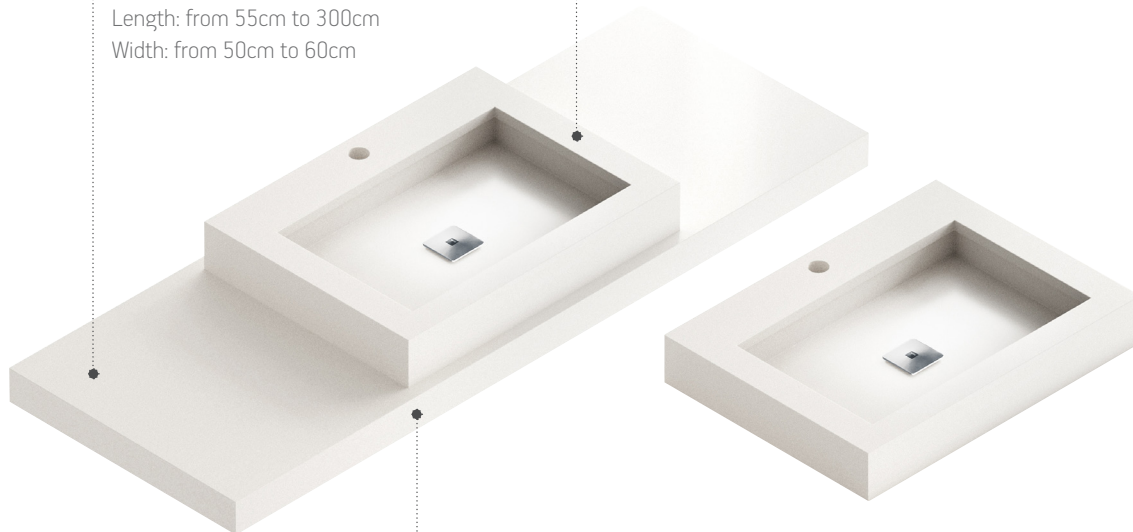
SILESTONE
by COSENTINO

Worktop

Length: from 55cm to 300cm
Width: from 50cm to 60cm

Tray

A loose one can be requested
Standard: 49cm x 30cm
Other options from 20 units



Edging

Straight: 20mm
Sink base: 100mm

It includes

Drain valve, output 1" 1/4 (code 313944)
Steel supports for wall installation
(in the case of worktop with sink base)

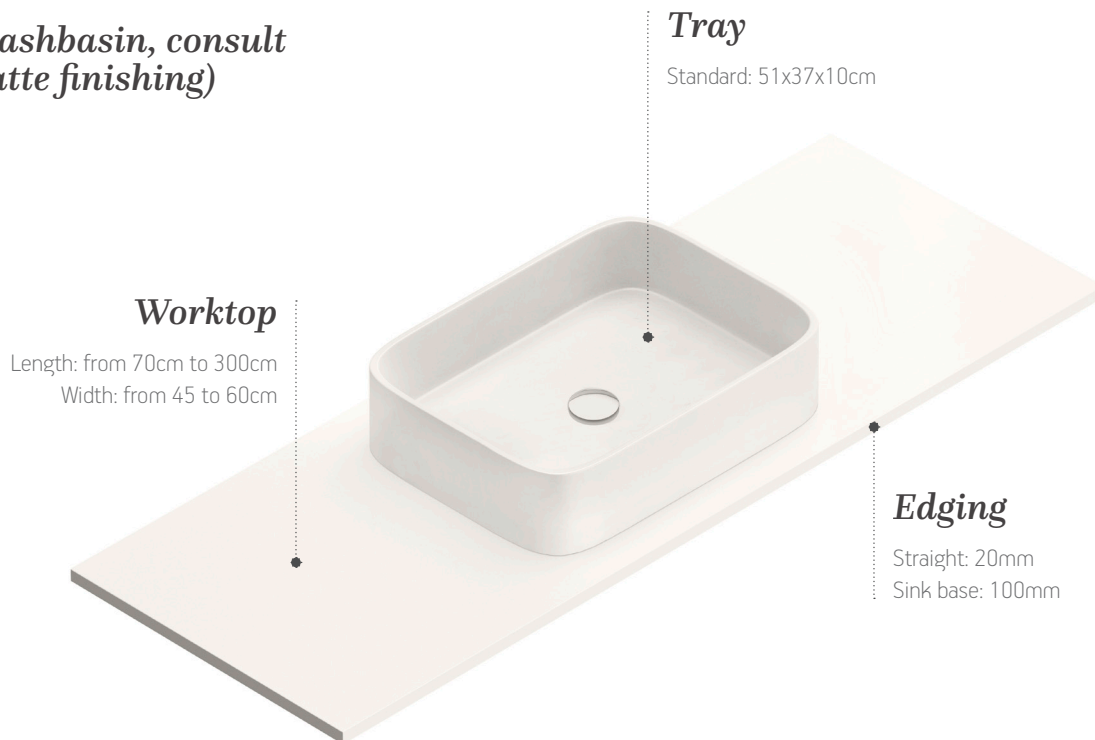
Note: Available in all Silestone colours except for Loft Brooklyn and Silver Lake



Marie Due L

Silestone washbasin, consult colours (matte finishing)

SILESTONE
by COSENTINO



It includes

Drain valve, output 1" 1/4 (code 307383)
Steel supports for wall installation
(in the case of washbasin with sink base)

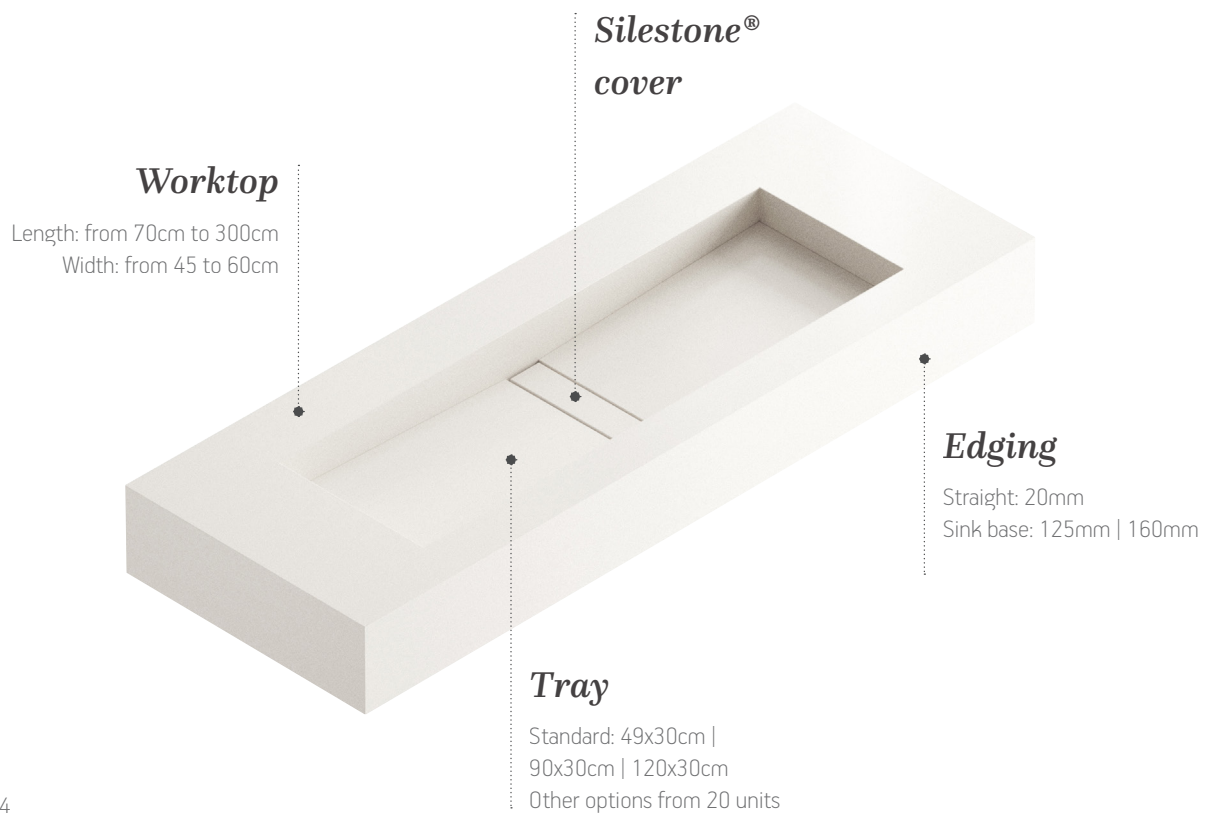
Available in the colours Blanco Zeus, Calacatta Gold, Tigris Sand, Lagoon.
Remaining colours available with a minimum order of 30 units.



Reflection

Custom washbasin available in all Silestone colours (polished or suede finish)

SILESTONE
by COSENTINO



It includes

Drain valve, output 1" 1/4
Steel supports for wall installation
(in the case of worktop with sink base)



Silence

Custom washbasin available in all Silestone colours (polished or suede finish)

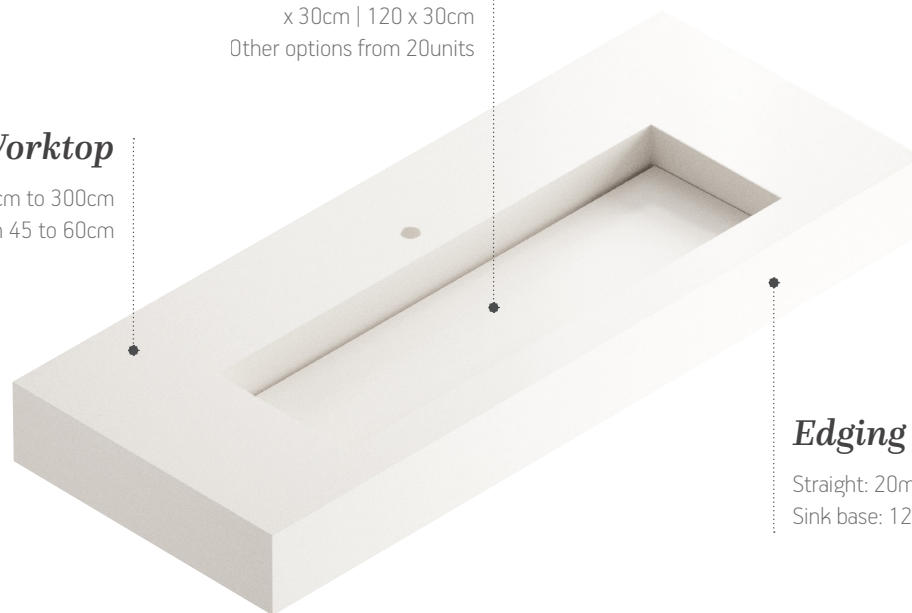
SILESTONE
by COSENTINO

Tray

Standard: 49x30cm | 90
x 30cm | 120 x 30cm
Other options from 20units

Worktop

Length: from 70cm to 300cm
Width: from 45 to 60cm



Edging

Straight: 20mm
Sink base: 125mm | 160mm

It includes

Drain valve, output 1" 1/4 (code 307383)
Steel supports for wall installation (in the case of washbasin with sink base)

Note: Available in all Silestone colours except for Loft Brooklyn and Silver Lake



Armony

Custom washbasin available in all Silestone colours (polished or suede finish)

SILESTONE
by COSENTINO

Tray

Standard: 49x30cm
Other options from 20units

Removable cover

For cleaning

Worktop

Length: from 70cm to 300cm
Width: from 45 to 60cm

Edging

Straight: 20mm
Sink base: 160mm



Incluye

Drain valve, output 1" 1/4 (cód. 313944)
Steel supports for wall installation
(in the case of washbasin with sink base)

Note: Available in all Silestone colours
except for Loft Brooklyn and Silver Lake



Balance

Custom washbasin available in all Silestone colours (polished or suede finish)

SILESTONE
by COSENTINO

Tray

Standard: 49x30cm
Other options from 20units

Worktop

Length: from 70cm to 300cm
Width: from 45 to 60cm

Removable cover

For cleaning

Edging

Sink base: 160mm

Side base

Not structural
Position: left, right or both

It includes

Drain valve, output 1" 1/4 (cód. 313944)
Steel supports for wall installation
(in the case of washbasin with sink base)

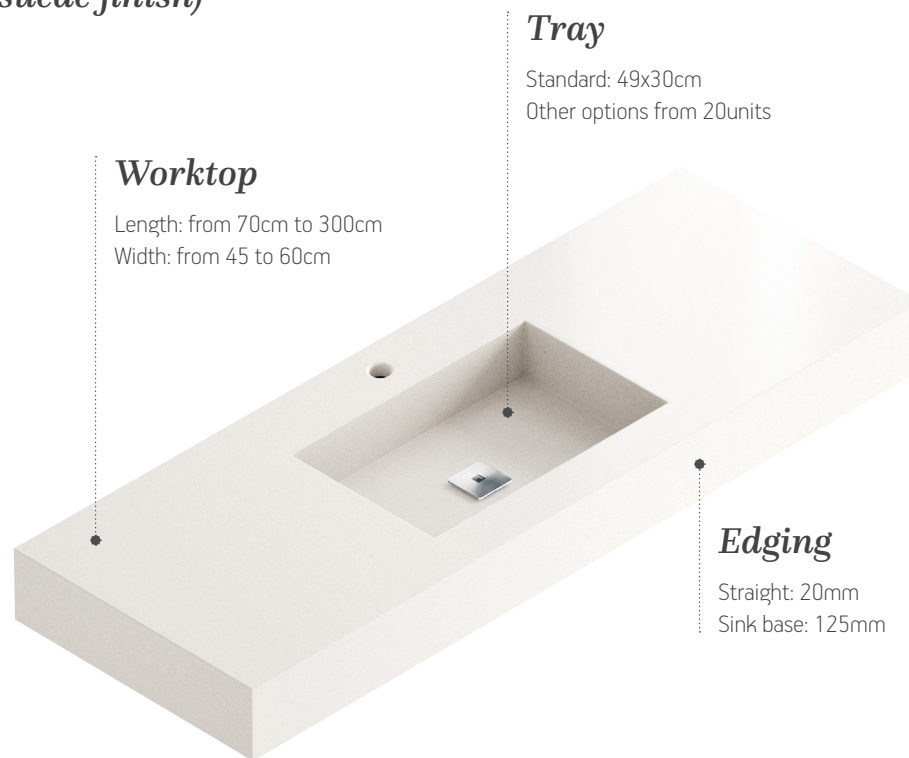
Note: Available in all Silestone colours except for Loft Brooklyn and Silver Lake



Elegance

Custom washbasin available in all Silestone colours (polished or suede finish)

SILESTONE
by COSENTINO



Worktop

Length: from 70cm to 300cm
Width: from 45 to 60cm

Tray

Standard: 49x30cm
Other options from 20units

Edging

Straight: 20mm
Sink base: 125mm

It includes

Drain valve, output 1" 1/4 (cód. 313944)
Steel supports for wall installation
(in the case of washbasin with sink base)

Note: Available in all Silestone colours except for Loft Brooklyn and Silver Lake



Simplicity

Custom washbasin available in all Silestone colours (polished or suede finish) or Dekton (smooth matte or textured finish)

SILESTONE
by COSENTINO

DEKTON
designed by COSENTINO

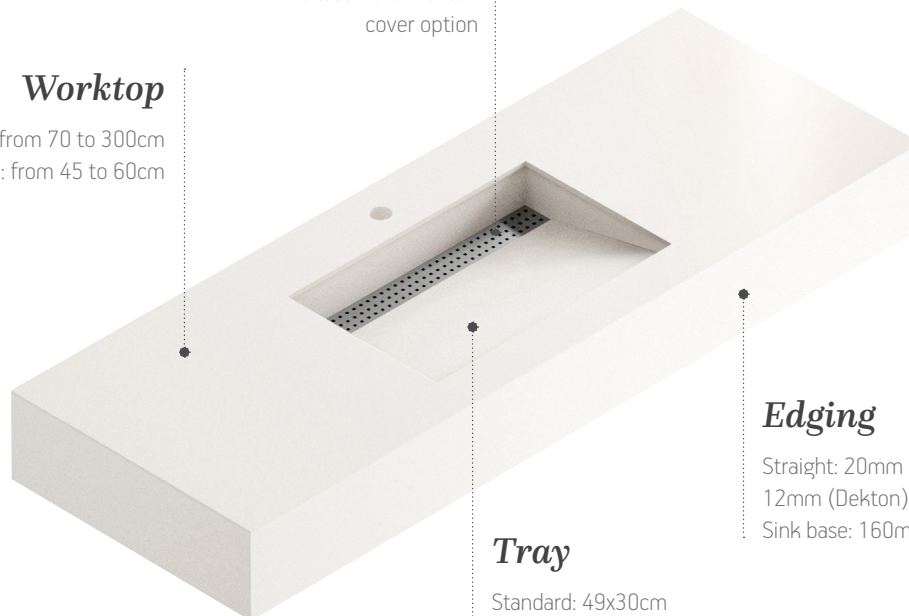
Visible grid or 12 mm cover

Silestone or Dekton cover option



Worktop

Length: from 70 to 300cm
Width: from 45 to 60cm



Edging

Straight: 20mm (Silestone),
12mm (Dekton)
Sink base: 160mm

Tray

Standard: 49x30cm
Other options from 20units

It includes

Perforated grid, output 1" 1/4
Steel supports for wall installation
(in the case of washbasin with sink base)

Note: Available in all Silestone colours except for Loft Brooklyn and Silver Lake



Equilibrium

Custom washbasin available in all Silestone colours (polished or suede finish) or Dekton (smooth matte or textured finish)

SILESTONE[®]
by COSENTINO

DEKTON[®]
designed by COSENTINO

Tray

Standard: 49x30cm
Other options from 20units

Worktop

Length: from 70 to 300cm
Width: from 45 to 60cm

Side base

Not structural
Position: left, right or both

Edging

Sink base: 160mm

Visible grid or 12 mm cover

Silestone or Dekton
cover option



It includes

Perforated grid, output 1" 1/4
Steel supports for wall installation
(in the case of washbasin with sink base)

Note: Available in all Silestone colours
except for Loft Brooklyn and Silver Lake



A

B

A Cladding Dekton® Sirocco
B Hand-wash basin Silestone® Urban Desert Silver

H-Line Wash-hand



Custom Design



Accessories



Wide Range of Colours

Hline is the perfect solution for the hotel sector. It consists of a Silestone or Dekton worktop, and a ceramic sink which makes it extremely easy to clean.

Flex



Urban



*The GALA brand is a registered trademark of Cerámicas Gala SA,
a company that is not part of the Cosentino Group*

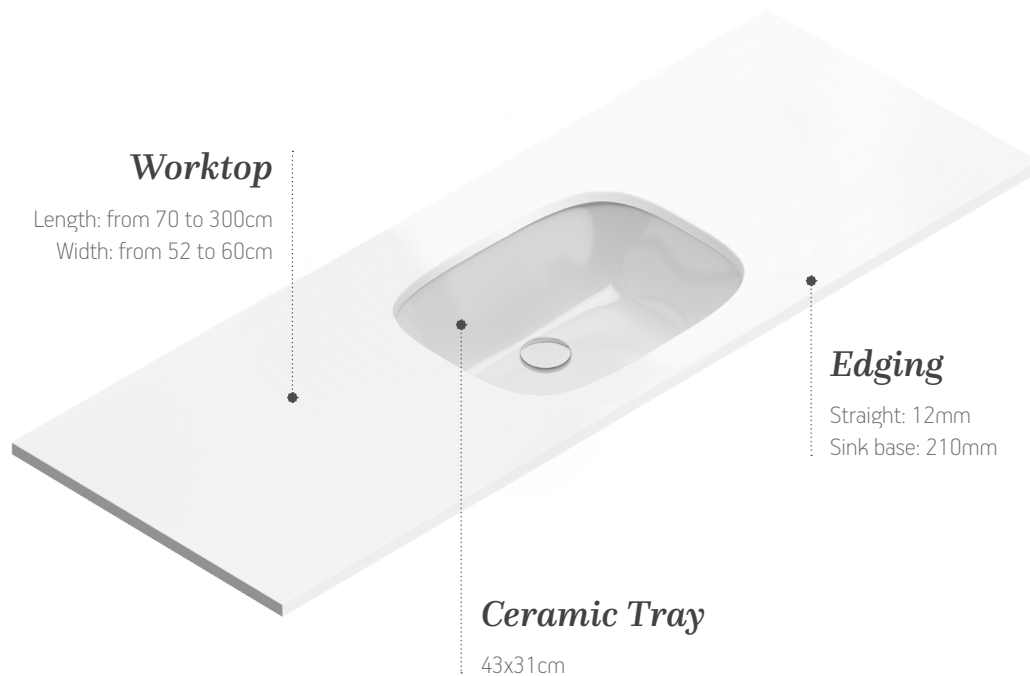


Flex

Custom worktop available in all Silestone colours (polished or suede finish) or Dekton (matte or polished finish)

SILESTONE
by COSENTINO

DEKTON
designed by COSENTINO



It includes

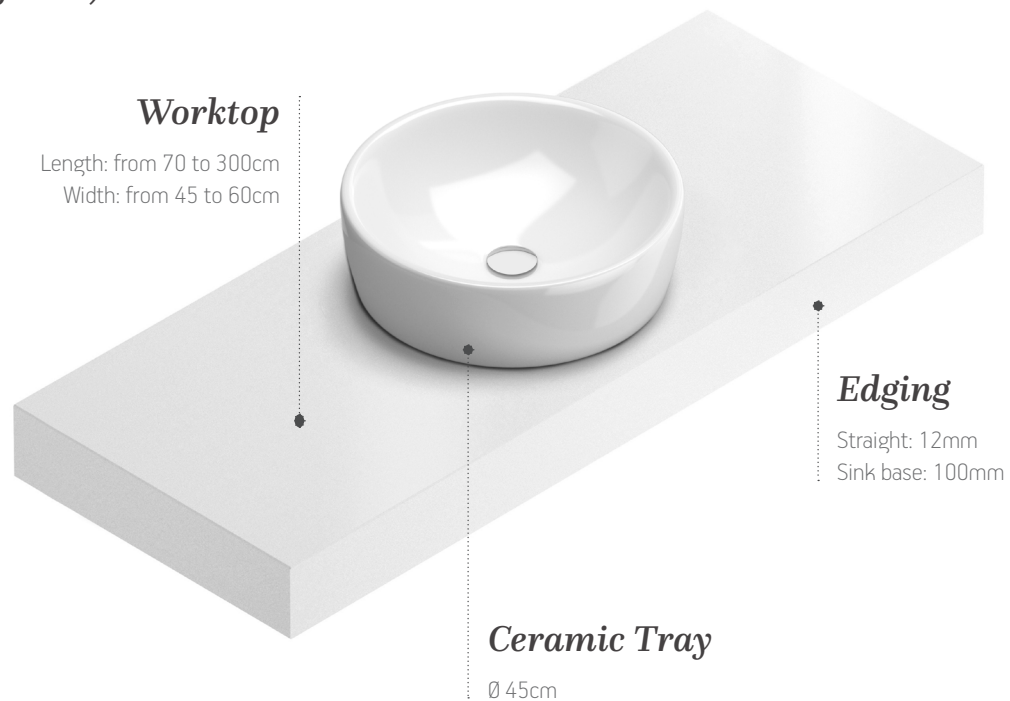
Drain valve, output 1" 1/4 (cód. 307383)
Steel supports for wall installation
(in the case of washbasin with sink base)

*The GALA brand is a registered trademark of Cerámicas Gala SA,
a company that is not part of the Cosentino Group*



Urban

Custom worktop available in all Silestone colours (polished or suede finish) or Dekton (matte or polished finish)



It includes

Drain valve, output 1" 1/4 (cód. 307383)
Steel supports for wall installation
(in the case of washbasin with sink base)

The GALA brand is a registered trademark of Cerámicas Gala SA, a company that is not part of the Cosentino Group

Installation Washbasins

The washbasins can be installed in two ways: on the wall or on a furniture base.

Comprobación.

Before installing the washbasin, check that the pack includes: drain valve (or grid if applicable) and installation supports (in the case of washbasin with sink base).



"If you have any queries regarding the installation of the sink on the furniture base, please contact the technical department at Cosentino."

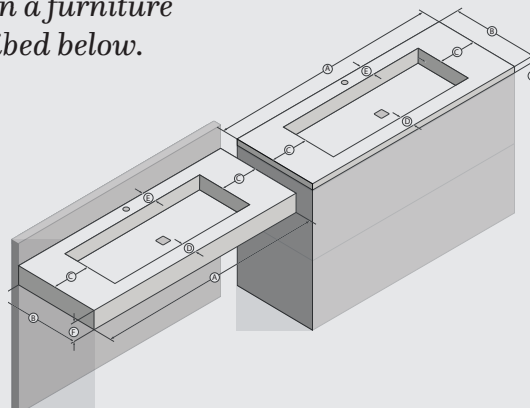
This manual contains general instructions for the installation of washbasins.

General installation of the washbasin on the wall

The washbasins can be installed in two ways: on the wall or on a furniture base. The installation process for a “wall washbasin” is described below.

0. Check.

Before installing the washbasin, check that the pack includes: drain valve (or grid if applicable) and installation supports (in the case of a washbasin with sink base).



Washbasin with sink base (wall)

(on furniture base)

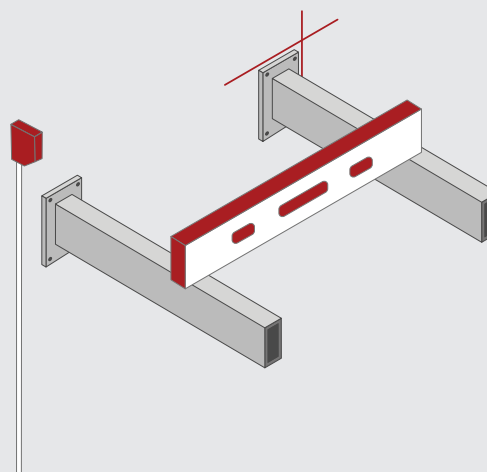
To wall

1. Installing the washbasin on site.

Analyse the dimensions of the washbasin and mark these on the wall. The overall height of the washbasin once installed usually ranges between 85-90 cm.

2. Placement of supports.

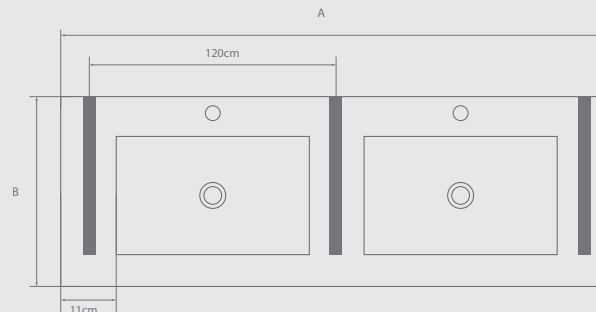
Placement of the first support should be done by referring to the upper right corner of the flange with 4 holes. This should be placed vertically, 2 cm below the chosen height and horizontally, 4-5 cm from the outside wall of the washbasin. The two supports must be perfectly levelled.



3. Placement of the washbasin on the supports.

3.1. One lateral support must be placed at each end, with a maximum distance of 120 cm between each support. The maximum weight that each support can bear is over 150 kg, as indicated in the regulations that apply.

3.2. If it has a twin washbasin, it will be necessary to place a third intermediate support at an equidistant position. So that the weight is distributed.



4. Application of the adhesive and final washbasin installation.

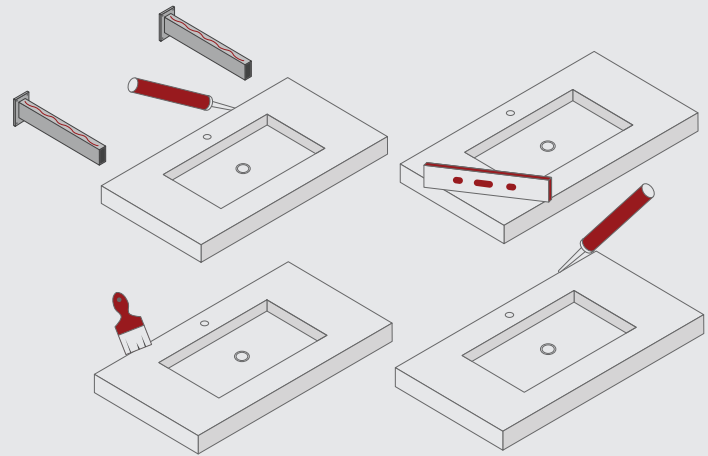
4.1. Before positioning the washbasin, apply silicone on the upper edge of the support and on the internal perimeter edge of the washbasin countertop. A minimum joint of 3 mm between the washbasin and the wall should be left.

4.2. Immediately afterwards, place the worktop on the supports, checking that the sink is centred and level.

4.3. Clean the positioning area.

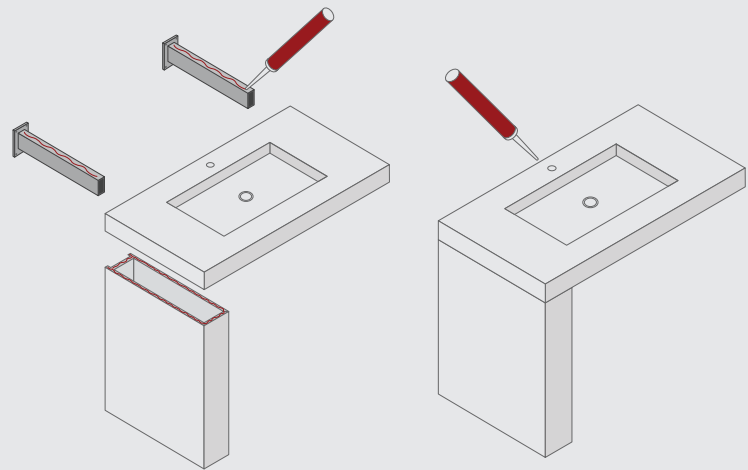
4.4. Seal with silicone in the area between the washbasin and the wall.

4.5. Next, install the tap fittings and drain connections.



5. Completion of other works (optional)

If the model includes a vertical leg, to complete the installation, silicone should be applied over the entire upper edge of the leg and then glued to the sink. The leg is not to support the weight of the washbasin, it is an aesthetic element



"If you have any queries regarding the installation of the sink on the furniture base, please contact the technical department at Cosentino."

www.cosentino.com



COSENTINO®

Ctra. Baza a Huércal-Overa, km 59 / 04850

Cantoria - Almería (España) / Tel.: +34 950 444 175 / info@cosentino.com

www.cosentino.com / www.silestone.com / www.dekton.com



REV. 04 - 04/2019
SAP. 905423

* Ver condiciones particulares de las garantías

** Obtenga información sobre colores con certificación NSF a través de www.nsf.org