

NEW

DEKTON[®] SL|M

designed by COSENTINO



Tiny Thickness → ← **Huge Format & Performance**





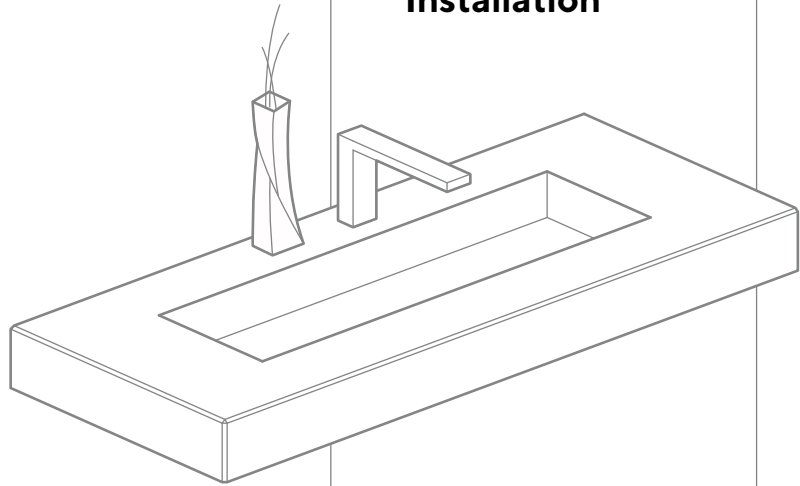
DEKTON® S L | M

Presenting Dekton® Slim, the new, large format surface with an ultra-thin 4-mm thickness that offers unlimited design options and incredible ease of installation and transport.

Its lightness and reduced thickness make it the most durable, high-performance surface for bathroom and kitchen cladding, as well as all types of furniture (doors, drawers, etc.).

4

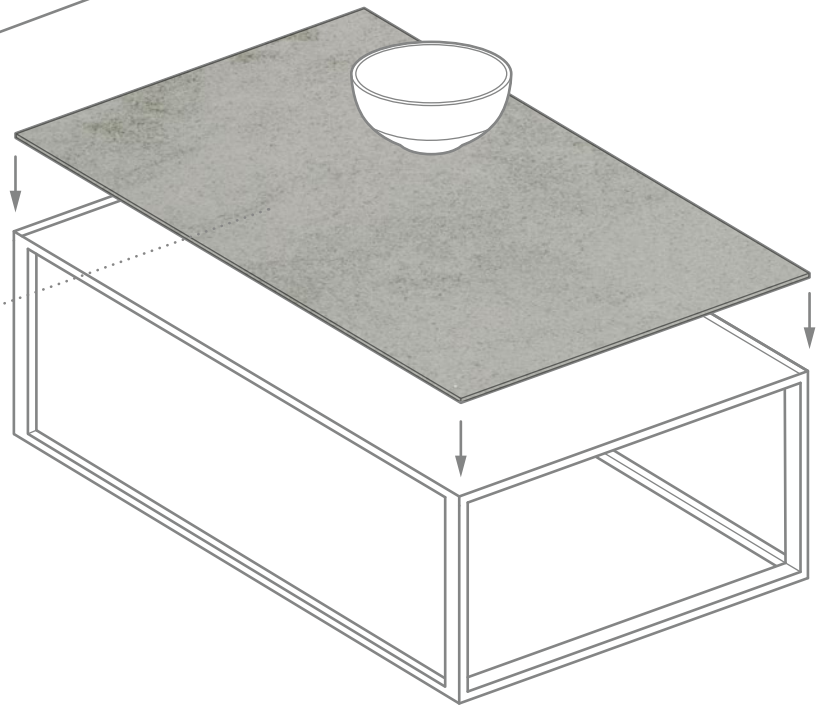
Easy Installation



3

Furniture Cladding

Transforms your home furniture with beautiful, highly resistant surfaces.





1

Bathroom Cladding

Maximum resistance against humidity with minimal joints.

2

Kitchen Cladding

Reduced thickness, infinite possibilities



1

Bathroom Cladding

Maximum resistance against humidity with the minimal joints in the lightest Dekton® format.



Ideal for bathrooms, Dekton® Slim offers cladding that is ultra-resistant to humidity and stains. A high-performing product that does not require any more maintenance beyond a damp cloth.

Its large format measuring 3,200 mm x 1,440 mm covers large surfaces, avoiding a large number of joints and in turn, dirt.



**Fewer Joints
Greater Hygiene**



**Surfaces measuring
3,200 x 1,440 mm**



**Cut to measure
Limitless customisation**



**Same stain and scratch
resistance as other
Dekton formats**

2

Kitchen Cladding

Reduced thickness, infinite possibilities



The ultra-thin Dekton® Slim surface, with a thickness of 4 mm, is ideal for the cladding of kitchen walls and cupboards, resulting in a harmonious blend with countertops of different thicknesses.

Dekton® Slim is scratch-, fire- and stain-resistant, just like its other formats.



**Surfaces measuring
3,200 x 1,440 mm**



**Same stain and scratch
resistance as other
Dekton formats**



**Cut to measure
Limitless customisation**

Dekton Slim is not suitable for kitchen countertops.









3

Furniture Cladding

Transforms your home furniture with beautiful, highly resistant surfaces



Dekton® Slim creates furniture with unprecedented performance: tables that are resistant to everything and doors that neither scratch nor stain. The design possibilities are endless since it is cut to measure and easy to install.

Limitless Design

Dekton® Slim is very simple to install and can be cut with great ease. It is the ideal surface to personalise your furniture with innovative designs.

Whatever you can imagine, Dekton® Slim can do it for you.



Cut to measure
Limitless customisation



Same stain and scratch
resistance as other
Dekton formats

4

Easy Installation

Everything is easier with Dekton® Slim



Thanks to its light format with an array of possibilities, everything just got a lot simpler. Its reduced thickness means it can be cut quickly and adjustments can be made on-site with tools for ceramic tiles. Dekton Slim is a material without internal tension, so it is not necessary to release it by cutting it. With a lightness of 10 kg/m², it is so easy to install.

It is important to read and familiarise yourself with the safety measures in order to handle construction materials.



At Cosentino we offer **personalised Customer Service**. Ask as many questions you like and request all the advice you need to ensure you get exactly what you want out of the new Dekton® Slim.

Find your nearest Cosentino Centre at www.cosentino.com



Easy to Cut and Create



Easy to Handle and Transport



Easy to Install

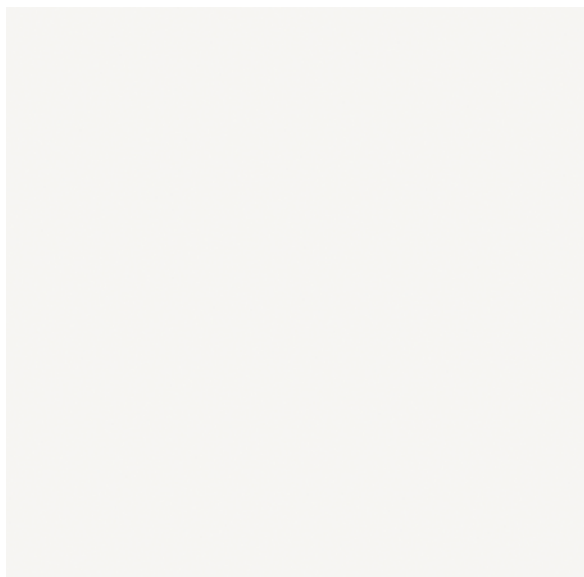


Personalised Customer Service

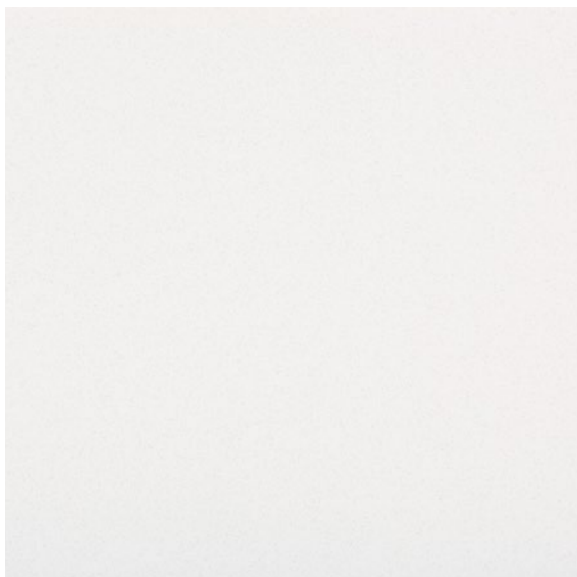


Available Colours

Check out our new colours
at dekton.com/slim



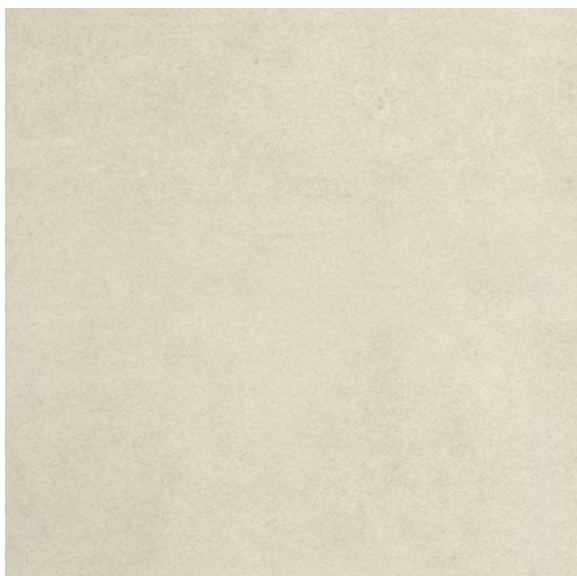
Zenith - SOLID Collection 



Nayla - NATURAL Collection 



Opera - NATURAL Collection 



Sasea - NATURAL Collection 



Kovik - NATURAL Collection 



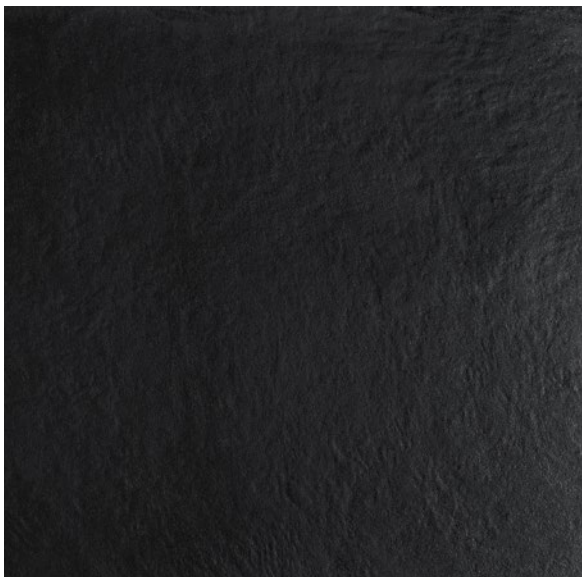
Sirocco - NATURAL Collection 



Kreta - INDUSTRIAL Collection 



Kelya - NATURAL Collection 



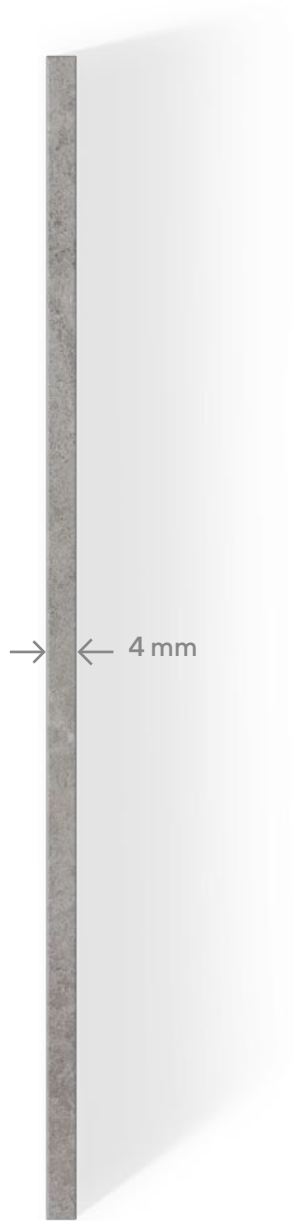
Sirius - SOLID Collection 

Packaging and Handling

Dekton Slim is sold in packages of 10 or 5 slabs. For larger projects, the packaging will be optimised in trestles, depending on the project requirements.

Ordering the mesh material is recommended, as handling is improved. This material is handled with tools for large-format transport.







Tiny Thickness →|← **Huge Format & Performance**



** Get information on NSF-certified colours at www.nsf.org

A product designed by **COSENTINO**

Ctra. Baza a Huércal-Overa, km 59. 04850 Cantoria, Almería (Spain)
+34 950 444 175 info@cosentino.com www.cosentino.com
www.dekton.com  DektonbyCosentino  @Dekton