

### TECHNICAL DATA

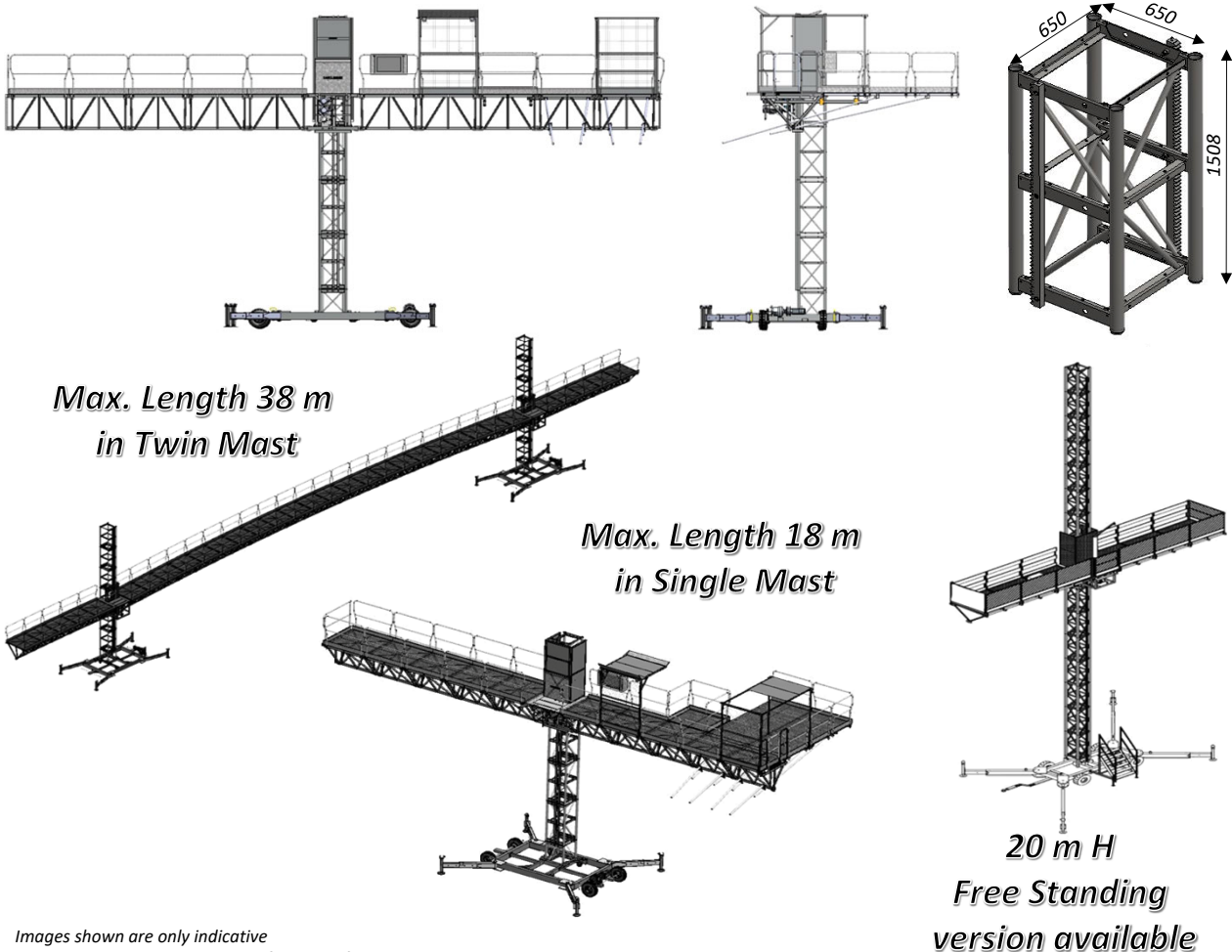
Max Length Twin Mast	38 m	Max Length Single Mast	18 m
Max Payload Twin Mast	8460 Kg	Max Payload Single Mast	4400 Kg
Motors Power Twin Mast	2 x 2 x 4.4 Kw	Motors Power Single Mast	2 x 4.4 Kw
Speed	9 m / min	Motors per drive unit	2
Platform deck width	1,5 m	Standard wall extensions	1,2 m (longer available on request) (*)
Wall Ties Distance	9 m/ 12 m	Free Standing Height	12 m - (20 m with Free Standing chassis)
Mast element weight	140 Kg	Mast element dim. (mm)	650 x 650 x 1508
Max working height	250 m	Power Supply	400 V - 50 Hz - Threephase (*)

### SAFETY FEATURES

- First class geared motors self braking type
- Centrifugal emergency brake for each geared-motor with automatic activation in case of overspeed
- Device for manual descent in case of power failure
- Castor wheels on the base for easy placement
- Mast protection nets
- Low voltage Electrical panel
- Detection of correct phase
- Limit switch checking mast element presence
- Emergency push button
- Sound alarm when platform moving
- Automatic levelling device in twin mast configuration checked by double limit switch
- Erection left / right drive unit stop
- Levelling Jacks and Rubber shock absorbers included in the base
- Rack interrupted on the terminal mast element to avoid overrun
- Industry 4.0 remote control through app (\*\*)
- Changing phase device
- Limit switch for doors, up, down, overrun and Emergency
- Double Limit switch up / down / levelling

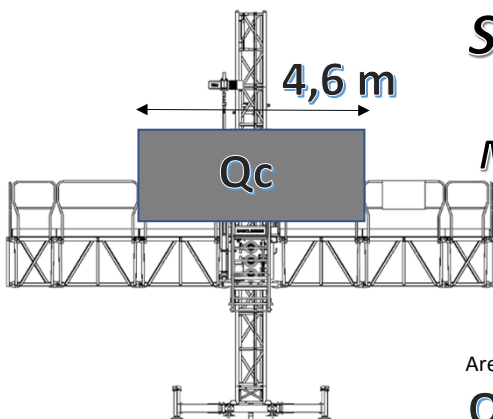
The Manufacturer reserves the right to change any of the above data without notice

NOTES: (\*) Other values on request - (\*\*) Optional



Images shown are only indicative  
 The customer can choose the preferred configuration

P50 SINGLE MAST - LOAD DISTRIBUTION - 2 x 4,4 kw							
<b>Total Length</b>	4,6 m	7,6 m	10,6 m	13,6 m	16,6 m	18,2 m	
<b>num. of Left decks</b>	1	2	3	4	5	5+1	
<b>num. of Right decks</b>	1	2	3	4	5	5+1	
<b>Qc</b>	[Kg]	4400	4000	3700	3300	2900	2700
<b>Qd</b>	[Kg]	4400	3100	2400	2000	1600	1400



**Single Mast**

**4400 Kg**

**Max payload**

**Qc** : Concentrated load

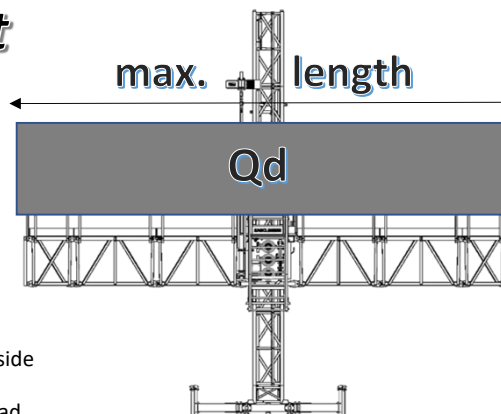
Area : Drive unit + 1 deck each side

**Qd** : Evenly distributed load

Area : all along the platform

**Qc = Concentrated Load**

including  (240 Kg)



**Qd = Evenly distributed load**

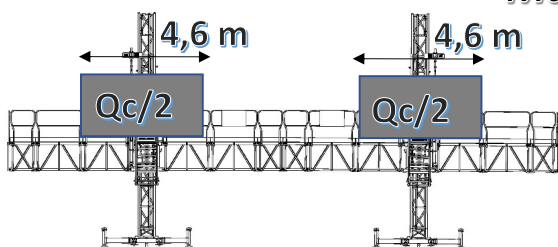
including  (240 Kg)

P50 TWIN MAST - LOAD DISTRIBUTION												
<b>Total Length</b>	8,2 m	12,7 m	17,2 m	20,2 m	24,7 m	26,2 m	27,7 m	30,7 m	33,7 m	35,2 m	38,2 m	
<b>num. of decks each wing</b>	1	1	2	2	3	3	3	4	4	4	5	
<b>num. of decks between masts</b>	2	5	6	8	9	10	11	11	13	14	14	
<b>Qc</b>	[Kg]	8460	7740	7020	6540	5820	5580	5340	4860	4380	3650	
<b>Qd</b>	[Kg]	8460	7740	3510	3270	2910	2790	2670	2430	2190	2070	1800

**Twin Mast**

**8460 Kg**

**Max payload**



**Qc/2** : Concentrated load

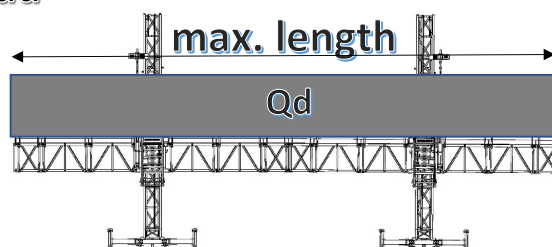
Area : Drive unit + 1 deck each side

**Qd** : Evenly distributed load

Area : all along the platform

**Qc = Concentrated Load**

including  (600 Kg)



**Qd = Evenly distributed load**

including  (600 Kg)