



**LAMILUX FLAT ROOF**

**ACCESS HATCHES COMFORT**

# LAMILUX FLAT ROOF ACCESS HATCHES COMFORT

---

**The Comfort range from LAMILUX offers roof access in a class of its own. In addition to optimised thermal insulation values and proven durability, the focus is primarily on architectural standards and comfort.**

## **Your advantages at a glance**

- Highest quality standards with perfect design
  - Clear appearance with no interfering edges indoors
  - Individual colour choice
  - Suitable for daily ventilation, tested for at least 5.000 opening cycles
  - More safety in use with light barrier monitoring
- Fall-through protection as per DIN EN 18008-6
- Complies with the Machinery Directive according to CE marking
  - Optionally available with emergency power buffering operated with 24V batteries
- More safety and saved time during installation due to completely pre-assembled overall elements for Flat Roof Access Hatch Comfort Swing and Square (integrated controls)
- Factory-fitted crane eyes for navigating during lifting onto the roof (Flat Roof Access Hatch Comfort Swing and Square)

## **Plan better now with the LAMILUX product configurator**

- ✓ Planning in BIM software
- ✓ Specification detail
- ✓ Data sheets



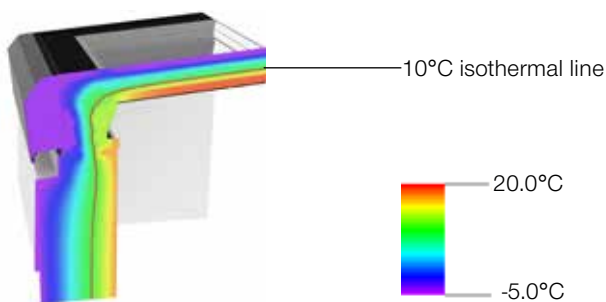
[lamilux.com/bim](https://lamilux.com/bim)



# LAMILUX FLAT ROOF ACCESS HATCH COMFORT SWING

---

Triple glazing with a  $U_g$  value of approx.  $0.6 \text{ W}/(\text{m}^2\text{K})$  and sound insulation value of approx. 39 dB, available in a choice of either heat insulation or solar protection glazing.



- Recipient of the German Design Award 2020
- Maximum daylight incidence due to intricate frame construction
- Advanced self-cleaning effect due to level water drainage
- Completely concealed opening system with stepless opening via hydraulic cylinder
- Opens completely to  $84^\circ$  within 25 seconds
- Minimised risk of condensation thanks to optimum isothermal line remaining in structure



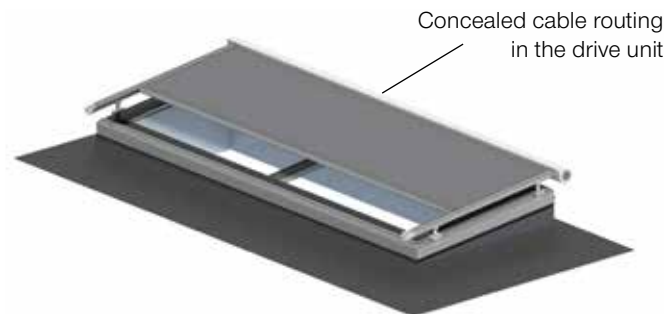
## Dimensions

### Roof opening sizes in cm

Width	Length
100	300
100	350

- The height of the upstand is 41 cm on the eave side and 50 cm on the opposite long side
- Steel construction with a GRP skirt
- Opening and closing possible during a power failure by manual operation using a hand lever

## Sun protection optional



- External blind
- Possible with radio control
- Approved up to wind resistance class 3

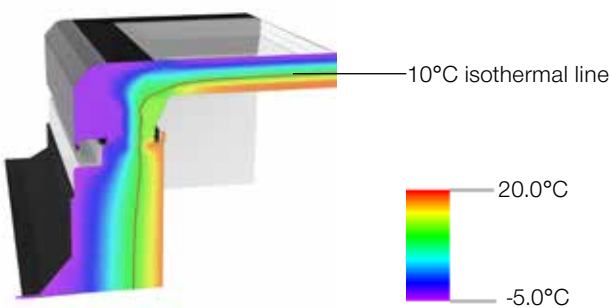




# LAMILUX FLAT ROOF ACCESS HATCH COMFORT SQUARE

---

Triple glazing with a  $U_g$  value of approx.  $0.6 \text{ W}/(\text{m}^2\text{K})$  and sound insulation value of approx. 39 dB, available in a choice of either heat insulation or solar protection glazing.



- Recipient of the Red Dot Design Award 2021
- Maximum daylight incidence due to intricate frame construction with  $4 \text{ m}^2$  glass surface
- Advanced self-cleaning effect due to inclined glass surface and level water drainage
- Completely concealed opening system with stepless opening via hydraulic cylinder
- Opens completely to  $70^\circ$  within 45 seconds
- Minimised risk of condensation thanks to optimum isothermal line remaining in structure





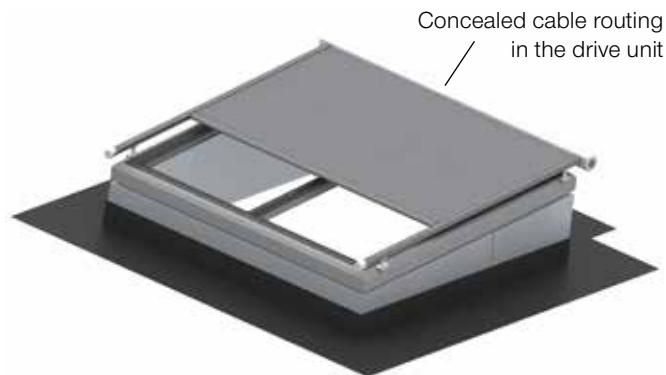
## Dimensions

### Roof opening sizes in cm

Width	Length
200	200

- The height of the upstand is 51 cm on the eave side and 68 cm on the ridge
- Steel construction with GRP skirt
- Opening and closing possible during a power failure by manual operation using a hand lever

## Sun protection optional



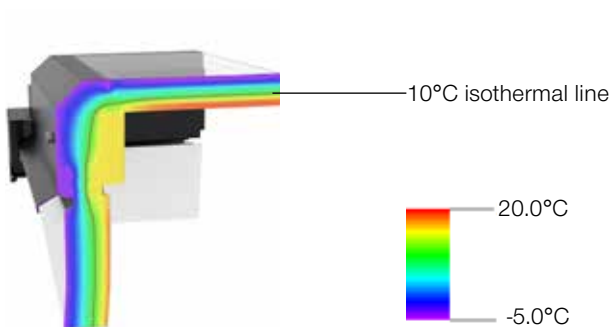
- External blind
- Possible with radio control
- Approved up to wind resistance class 3



# LAMILUX FLAT ROOF ACCESS HATCH COMFORT SOLO

---

Triple glazing with a  $U_g$  value of approx.  $0.6 \text{ W}/(\text{m}^2\text{K})$  and sound insulation value of approx. 39 dB, available in a choice of either heat insulation or solar protection glazing.



- Recipient of the German Design Award 2017
- Maximum daylight incidence due to intricate frame construction
- Advanced self-cleaning effect due to inclined glass surface and level water drainage
- Horizontal opening with two 24V drives
- Without visible drives indoors
- Minimised risk of condensation thanks to optimum isothermal line remaining in structure



## Dimensions

### Roof opening sizes in cm

Width	Length
120	350

- The height of the upstand is 35 cm on the eave side and 68 cm on the ridge
- Thermally insulated upstand made from glass-fibre reinforced composite, manufactured without joints with a minimum of 55 mm insulation

## Sun protection optional

Cable routing is concealed on the "ridge side" of the access hatch



- External blind
- Possible with radio control
- Approved up to wind resistance class 3

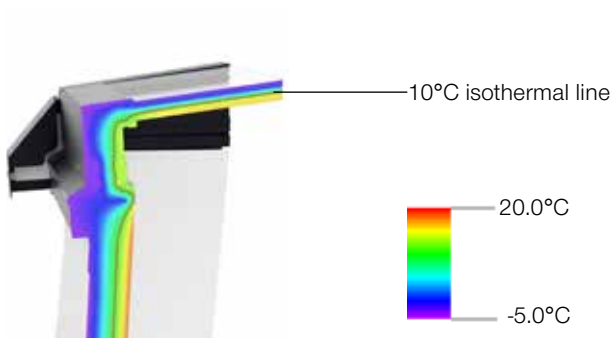




# LAMILUX FLAT ROOF ACCESS HATCH COMFORT DUO

---

Double glazing with a  $U_g$  value of approx.  $1.1 \text{ W}/(\text{m}^2\text{K})$  and sound insulation value of approx. 38 dB available in a choice of either thermal insulation or sun protection.



- High daylight incidence due to intricate frame construction
- Self-cleaning effect due to inclined glass surface
- Horizontal two-sided opening with four 24V drives
- Continuously adjustable ventilation position for both opening flaps
- Without visible drive units indoors
- Minimised risk of condensation thanks to optimum isothermal line remaining in structure



## Dimensions

### Roof opening sizes in cm

Width	Length
120	300

- The upstand is 40 cm high on the eave side and climbs at an angle of 3° to reach a height of 55 cm on the ridge side. This allows the component to self-clean.
- Thermally insulated upstand made from glass-fibre reinforced composite, without joints with at least 55 mm thick insulation





**LAMILUX Heinrich Strunz GmbH**

Zehstraße 2 · PO Box 1540 · 95111 Rehau · Tel.: +49 (0) 92 83 / 5 95-0 · Fax +49 (0) 92 83 / 5 95-29 0

E-Mail: [information@lamilux.de](mailto:information@lamilux.de) · [www.lamilux.com](http://www.lamilux.com)

