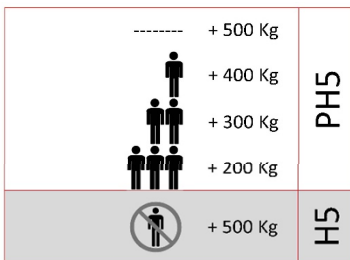


Technical Data

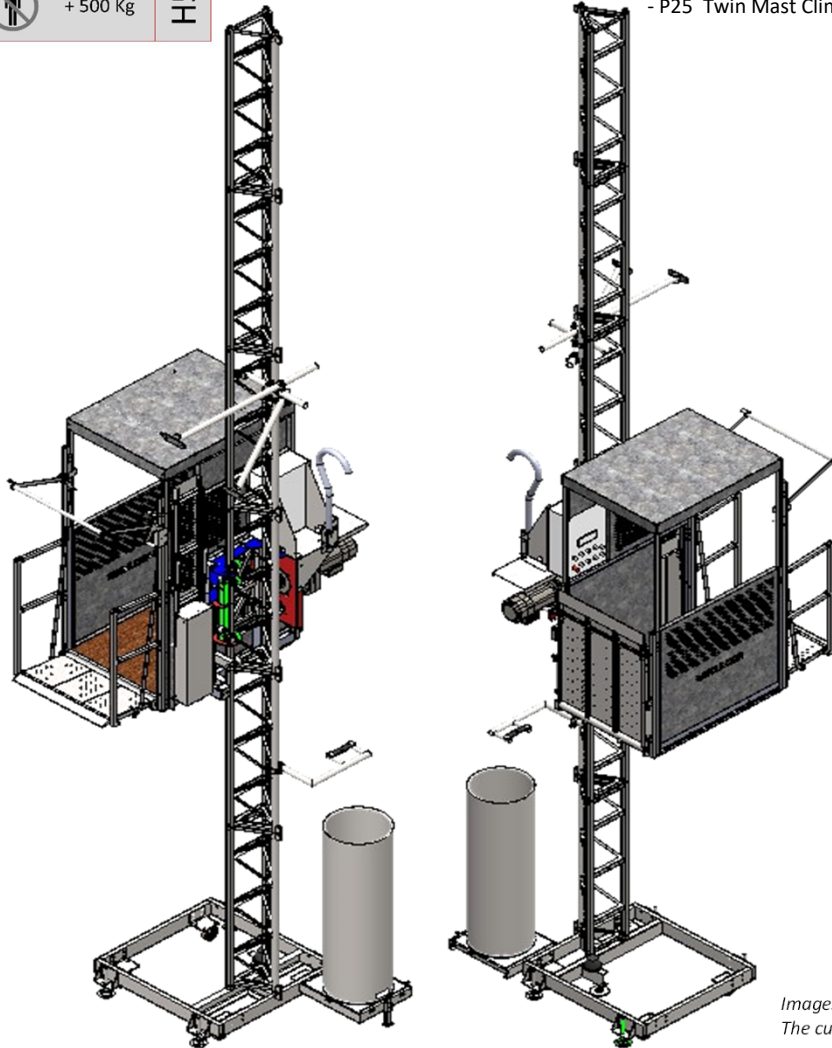
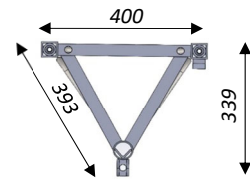
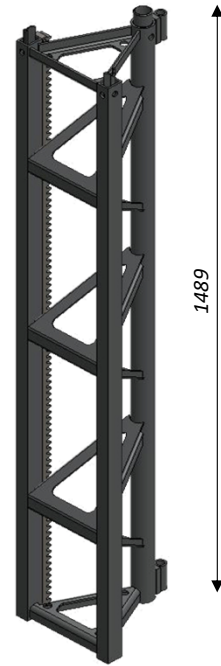
| | | | | | |
|--|--------------------------------|--------------------------|--|----------------------------------|------------------------------------|
| Cage size useful dim. (m) L x W x H 1,3 x 0,9 - 1,5 X 1 (*) | | Max Payload 500 kg | Ground dimensions (m) 1,7 X 1,5 (*) | | Max. working height (m) 100 (*) |
| Mast section dim.(mm) 400 x 393 x 1489 | Mast section weight (Kg) 40 | Tie In distance (m) 6 | Electrical supply (*) | 400 V 50 Hz | Treephase |
| | | | | 220 V 50 Hz | Single phase |
| | | | | 460 V 60 Hz | Treephase |
| Model | VFC (Inverter) | Max. Speed (m/min) | Motors power (Kw) | Nominal current absorption (Amp) | Start Up Current absorption (Amp) |
| PH5 SINGLE PHASE | YES | 12 | 3 | 11,6 | 23,2 |
| PH5 THREEPHASE | NO | 12 | 3 | 6,5 | 42 |
| PH5 THREEPHASE "DUAL SPEED" | YES | 0-24 | 5,5 | 20 | 40 |
| H5 THREEPHASE | NO | 20 | 4 | 9 | 58 |

NOTES: (*) Other values on request
VFC: Variable Frequency Converter / Inverter

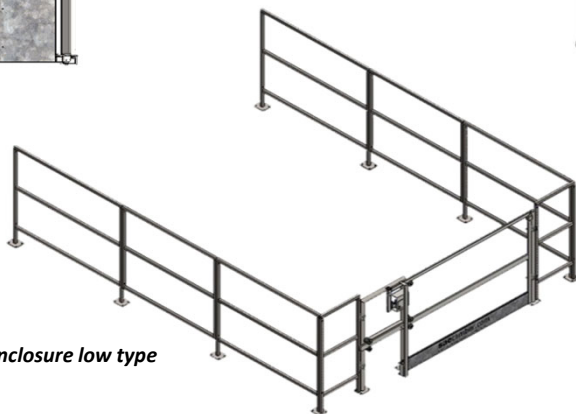
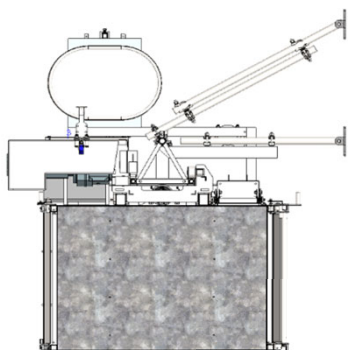
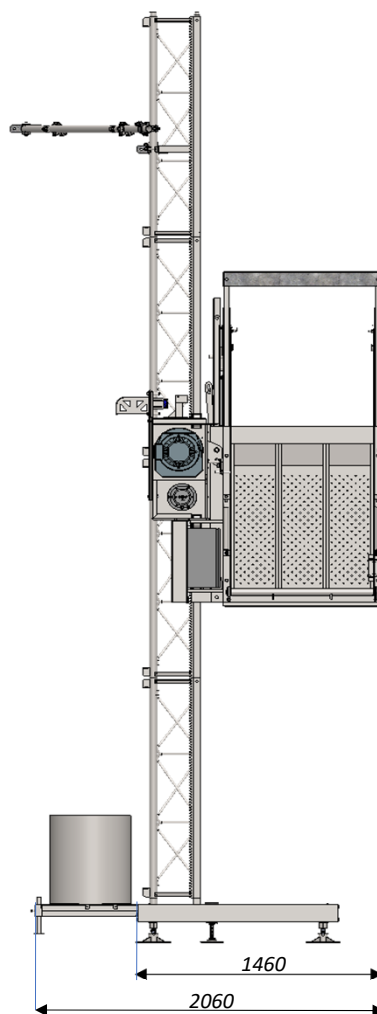
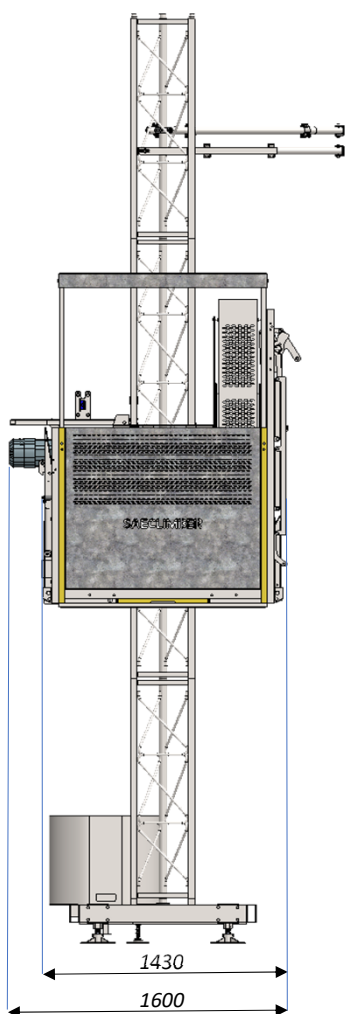


Mast section compatible with:

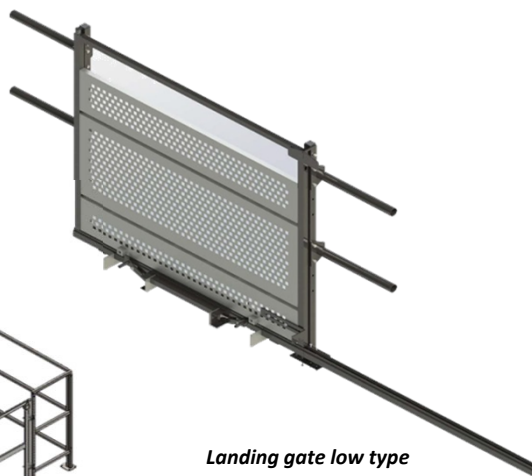
- E05 P&M Hoist
- E10 P&M Hoist
- PH5 Transp.Platform
- H5 Material Hoist
- PH10 Transp.Platform
- PH10 PLA/P TWIN Transp.Platform
- PH10 PLA/T TWIN Transp.Platform
- H10 Material Hoist
- P25 Single Mast Climber
- P25 Twin Mast Climber



Images shown are only indicative
The customer can choose the preferred configuration



Ground enclosure low type



Landing gate low type

The Manufacturer reserves the right to change any of the above data without notice